

PARTS MANUAL



Mikasa **SERIES**
MODEL MVH206D
REVERSIBLE PLATE COMPACTOR
(YANMAR L70V6GF1R1AA DIESEL ENGINE)

Revision #3 (07/08/20)

To find the latest revision of this publication or
associated operation manual, visit our website
at: www.multiquip.com



THIS MANUAL MUST ACCOMPANY THE EQUIPMENT AT ALL TIMES.

TABLE OF CONTENTS

MVH206D REVERSIBLE PLATE COMPACTOR

Table of Contents	2
Explanation of Code in Remarks Column	4
Suggested Spare Parts	5

COMPONENT DRAWINGS

Nameplate and Decals	6-7
Vibrating Plate Assembly	8-9
Base and Engine Assembly	10-11
Vibrator Assembly	12-13
Control Assembly	14-19

NOTICE

Specification and part number are subject to change without notice

YANMAR L70V6GF1R1AA ENGINE DRAWINGS

Cylinder Block Assembly	20-21
Cylinder Head Assembly	22-23
Air Cleaner Assembly	24-25
Muffler Assembly	26-27
Crankshaft and Camshaft Assembly	28-29
Piston Assembly	30-31
Lub. Oil, Pump and Governor Assembly	32-33
Cooling and Starting Device Assembly	34-35
Fuel Injection Pump Assembly	36-37
Fuel Tank and Fuel Line Assembly	38-39
Electric Device Assembly	40-41
Tools, Labels and Gaskets Assembly	42-43
Accessories	44-45

EXPLANATION OF CODE IN REMARKS COLUMN

The following section explains the different symbols and remarks used in the Parts section of this manual. Use the help numbers found on the back page of the manual if there are any questions.

NOTICE

The contents and part numbers listed in the parts section are subject to change **without notice**. Multiquip does not guarantee the availability of the parts listed.

SAMPLE PARTS LIST

NO.	PART NO.	PART NAME	QTY.	REMARKS
1	12345	BOLT.....	1	INCLUDES ITEMS W/%
2%		WASHER, 1/4 IN.....		NOT SOLD SEPARATELY
2%	12347	WASHER, 3/8 IN....	1	MQ-45T ONLY
3	12348	HOSE		A/R ...MAKE LOCALLY
4	12349	BEARING	1	S/N 2345B AND ABOVE

NO. Column

Unique Symbols — All items with same unique symbol

(@, #, +, %, or >) in the number column belong to the same assembly or kit, which is indicated by a note in the “Remarks” column.

Duplicate Item Numbers — Duplicate numbers indicate multiple part numbers, which are in effect for the same general item, such as different size saw blade guards in use or a part that has been updated on newer versions of the same machine.

NOTICE

When ordering a part that has more than one item number listed, check the remarks column for help in determining the proper part to order.

PART NO. Column

Numbers Used — Part numbers can be indicated by a number, a blank entry, or TBD.

TBD (To Be Determined) is generally used to show a

QTY. Column

Numbers Used — Item quantity can be indicated by a number, a blank entry, or A/R.

A/R (As Required) is generally used for hoses or other parts that are sold in bulk and cut to length.

A blank entry generally indicates that the item is not sold separately. Other entries will be clarified in the “Remarks” Column.

REMARKS Column

Some of the most common notes found in the “Remarks” Column are listed below. Other additional notes needed to describe the item can also be shown.

Assembly/Kit — All items on the parts list with the same unique symbol will be included when this item is purchased.

Indicated by:

“INCLUDES ITEMS W/(unique symbol)”

Serial Number Break — Used to list an effective serial number range where a particular part is used.

Indicated by:

“S/N XXXXX AND BELOW”
“S/N XXXX AND ABOVE”
“S/N XXXX TO S/N XXX”

Specific Model Number Use — Indicates that the part is used only with the specific model number or model number variant listed. It can also be used to show a part is NOT used on a specific model or model number variant.

Indicated by:

“XXXXX ONLY”
“NOT USED ON XXXX”

“Make/Obtain Locally” — Indicates that the part can be purchased at any hardware shop or made out of available items. Examples include battery cables, shims,

SUGGESTED SPARE PARTS

MVH206D W/ YANMAR L70V6GF1R1AA ENGINE

1 TO 3 Units

<u>QTY.</u>	<u>PART NO.</u>	<u>DESCRIPTION</u>
1	956100065	THROTTLE WIRE
2	070200363	V-BELT
3	11421012590	ELEMENT, AIR CLEANER
1	11428855041	CAP, FUEL TANK
1	11439976630	ROPE, STARTER
4	939010300	SHOCK ABSORBER

NAMEPLATE AND DECALS

10

Fire risk	Operate only in well-ventilated area
Do not stand next to machine while lifting	Do not use machine handle
Wear ear protection	Avoid contact with the muffler and cylinder
Do not touch moving parts in operation	Read operator's manual carefully before use
<p>OPERATIONAL CAUTION</p> <ul style="list-style-type: none"> • Prior to OPERATION, check engine oil and fuel levels. If not enough, add to proper levels. • Warm up engine at low speed for 3 to 5 minutes. • Operate machine at full throttle speed. (Incorrect clutch engagement causes clutch to burn.) • Use travel lever for forward & reverse motion. Do not push or pull travel lever strongly. <p>NPA-1317</p>	

12

OPERATIONAL CAUTION
Do not move travel lever if engine stops

NPA-1106

15

NPA-1169

3
Shell Tellus Oil 32

13
Operate Unit At Full Throttle
NPA-458

14

DCL333

25

V BELT HDPF-5360

21



5
MVH-206

20

Mikasa

Serial No.

Model No.

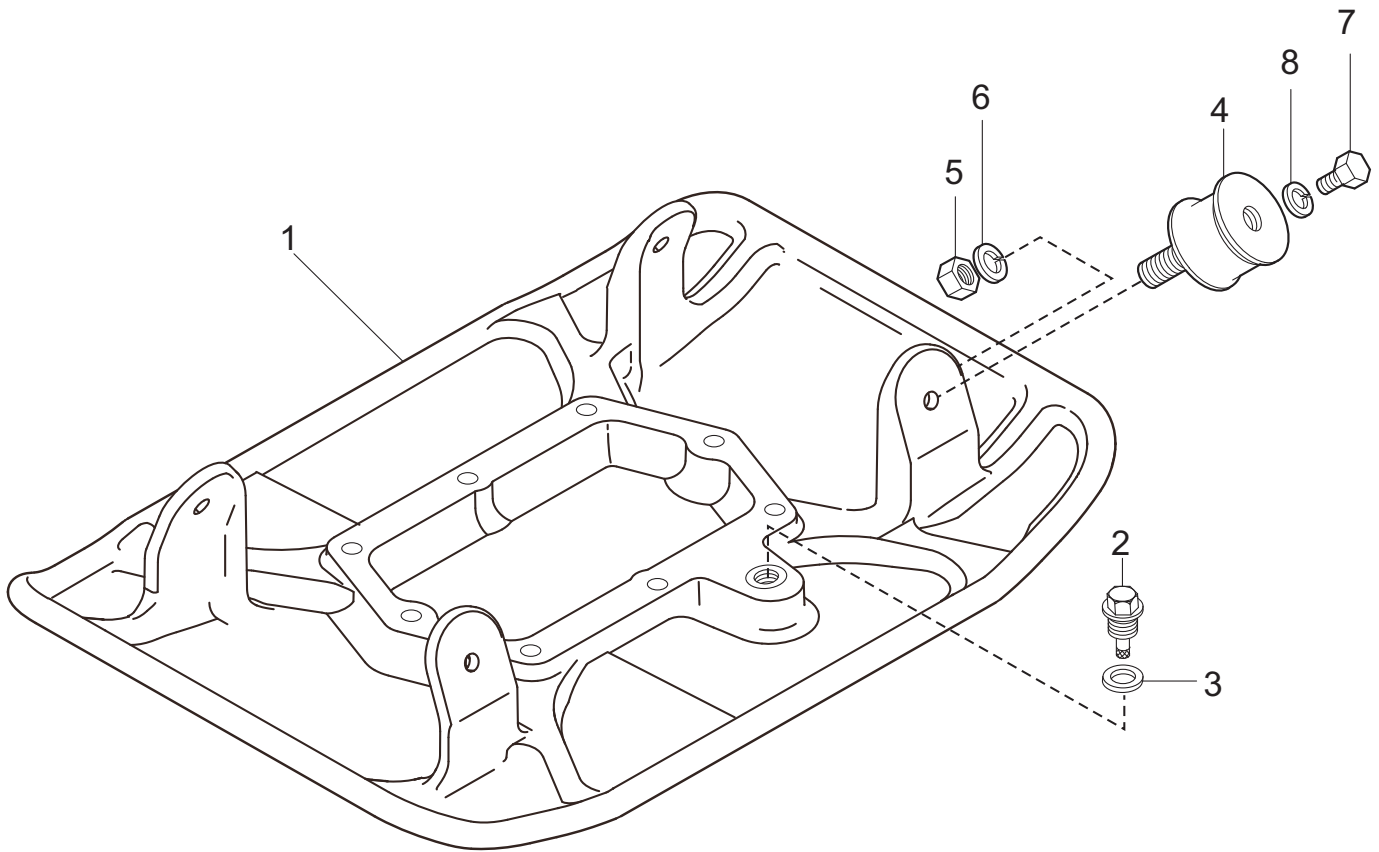
MQ MULTIQUIP

1
SAE 10W-30 MOTOR OIL
NPA-195

NAMEPLATE AND DECALS

<u>NO.</u>	<u>PART NO.</u>	<u>PART NAME</u>	<u>QTY.</u>	<u>REMARKS</u>
1	920201950	DECAL, OIL SAE 10W-30	1	NPA-195
3	920211090	DECAL, SHELL TELLUS OIL 32	1	
5	920111380	DECAL, MODEL LOGO	1	
10	920213170	DECAL, CAUTION	1	NPA-1317
12	920211060	DECAL, CAUTION (LEVER)	1	NPA-1106
13	920204580	DECAL, FULL THROTTLE	1	NPA-458
14	920203330	EAR PROTECTION LABEL	1	DCL333
15	920211690	DECAL, LEVER OPERATION	1	NPA-1169
20		PLATE, SERIAL NO.	1	CONTACT MQ PARTS DEPT.
21	920201580	DECAL, MQ MARK 71X55	1	
25	920205070	DECAL, V-BELT HDPF-5360	1	

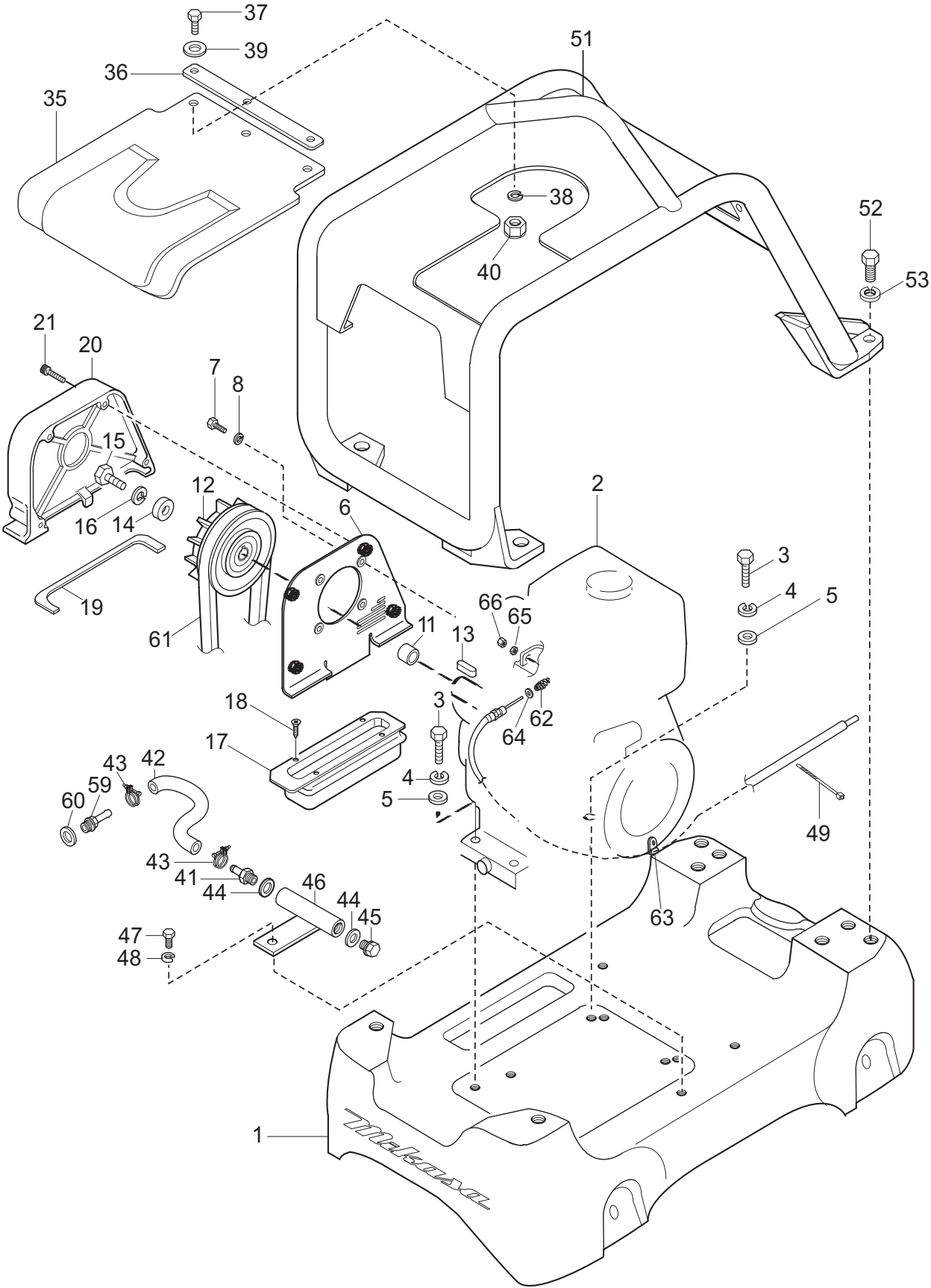
VIBRATING PLATE ASSY



VIBRATING PLATE ASSY

<u>NO.</u>	<u>PART NO.</u>	<u>PART NAME</u>	<u>QTY.</u>	<u>REMARKS</u>
1	466119710	VIBRATING PLATE	1	
2	460449160	OIL GAUGE	1	
3	953405260	PACKING 1/4 (CU)	1	
4	939010300	SHOCK ABSORBER 75X50H	4	
5	020312100	NUT M12	4	
6	030212300	WASHER, LOCK M12	4	
7	001221235	BOLT 12X35 T	4	
8	030212300	WASHER, LOCK M12	4	

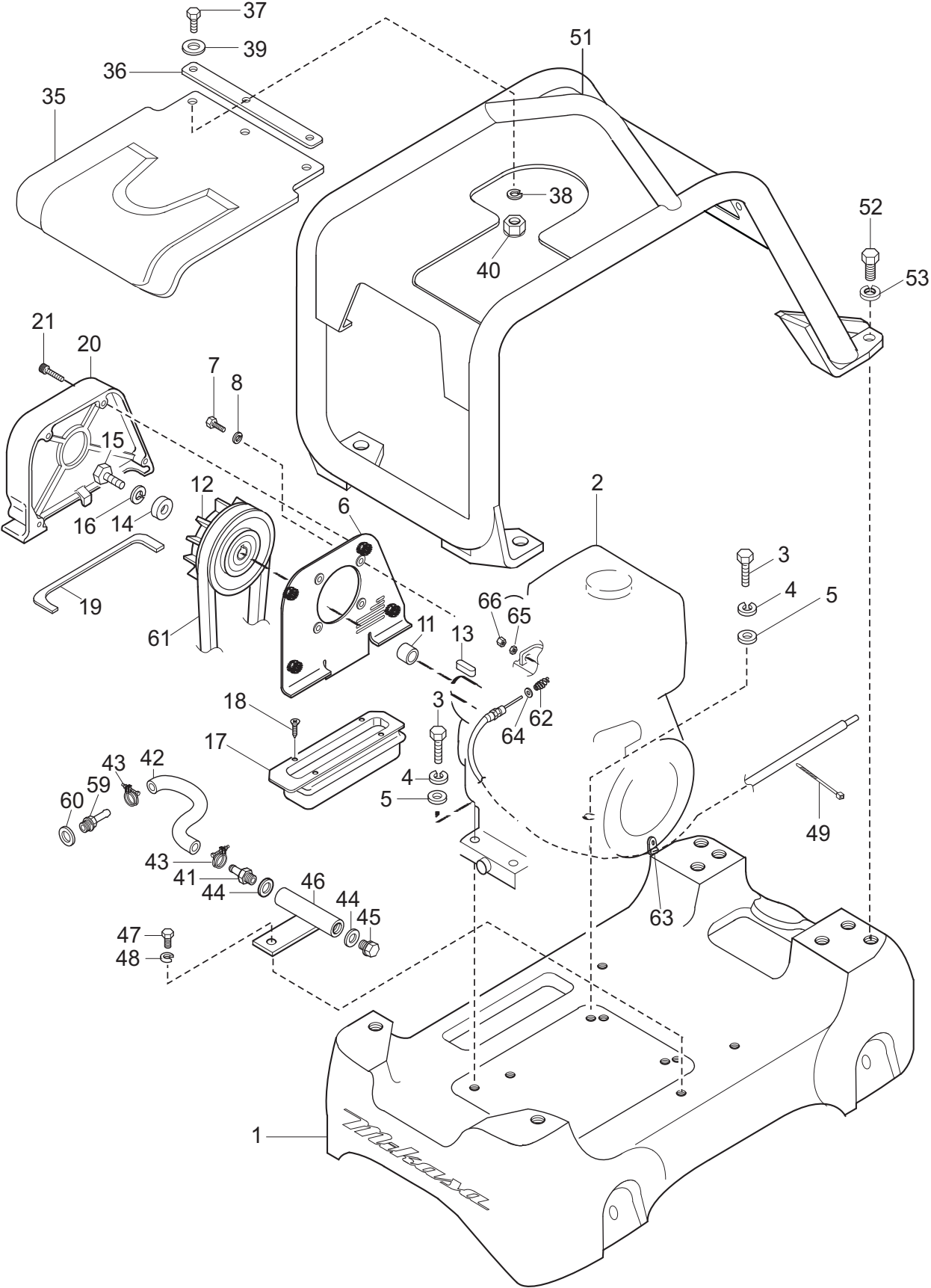
BASE AND ENGINE ASSY



BASE AND ENGINE ASSY

<u>NO.</u>	<u>PART NO.</u>	<u>PART NAME</u>	<u>QTY.</u>	<u>REMARKS</u>
1	466119780	BASE	1	
2	914410029	ENGINE, L70V6GF1R1AA	1	
3	001221040	BOLT 10X40 T	4	
4	030210250	WASHER, LOCK M10	4	
5	031110160	WASHER, FLAT M10	4	
6	466347750	BELT COVER	1	
7	001220825	BOLT 8X25 T	4	
8	030208200	WASHER, LOCK M8	4	
11	466461470	SPACER	1	
12	466347700	CLUTCH ASSY/CHM03/W.FAN	1	
13	22512070360	KEY 7X36 RR	1	
14	466461490	WASHER, CLUTCH	1	
15	001220830	BOLT 8X30 T	1	
16	030208200	WASHER, LOCK M8	1	
17	466217870	DUST-PROOF COVER	1	
18	092006010	FLAT HEAD SCREW 6X10	4	
19	466347740	DUST-PROOF SPONGE (OUT)	1	
20	466119740	BELT COVER (OUT)	1	
21	001521054	SOCKET HEAD BOLT 10X70 T	4	
35	466119720	RUBBER COVER (GUARD FRAME)	1	
36	466461500	PLATE, COVER	1	
37	001220830	BOLT 8X30 T	3	
38	030208200	WASHER, LOCK M8	3	
39	031108160	WASHER, FLAT M8	3	
40	022710809	NYLON NUT M8	3	
41	2556390111	UNION	1	
42	2556380103	DRAIN HOSE	1	
43	0091720000	HOSE CLAMP	2	
44	0211140020	GASKET	2	
45	0401140030	PLUG	1	

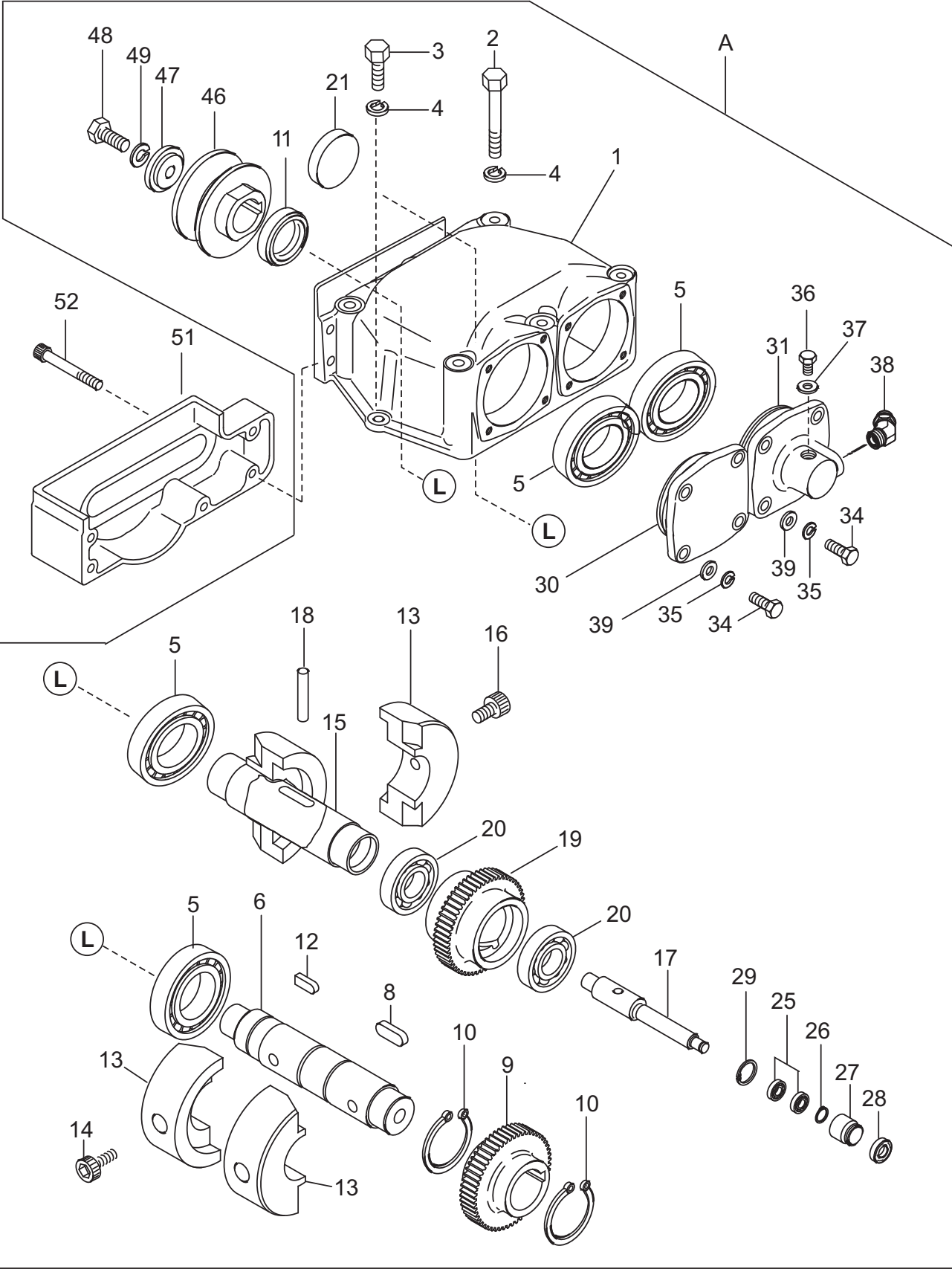
BASE AND ENGINE ASSY



BASE AND ENGINE ASSY

<u>NO.</u>	<u>PART NO.</u>	<u>PART NAME</u>	<u>QTY.</u>	<u>REMARKS</u>
46	464457380	DRAIN JOINT	1	
47	001220820	BOLT 8X20 T	1	
48	030208200	SW M8	1	
49	454010020	CLAMP TC-100	1	
51	466119730	GUARD HOOK	1	
52	001221230	BOLT 12X30 T	4	
53	030212300	WASHER, LOCK M12	4	
59	459455560	JOINT, OIL DRAIN	1	
60	22190160002	WASHER, SEAL 16S	1	
61	070200363	V-BELT B-36 GREEN /HDPF536	1	
62	2344600213	RETURN SPRING	1	
63	2067550101	CLAMP COMPL	1	
64	031105080	WASHER, FLAT M5	1	
65	020406040	NUT M6, H = 4.2	1	
66	959406800	NUT M6 (SPECIAL - L10)	1	

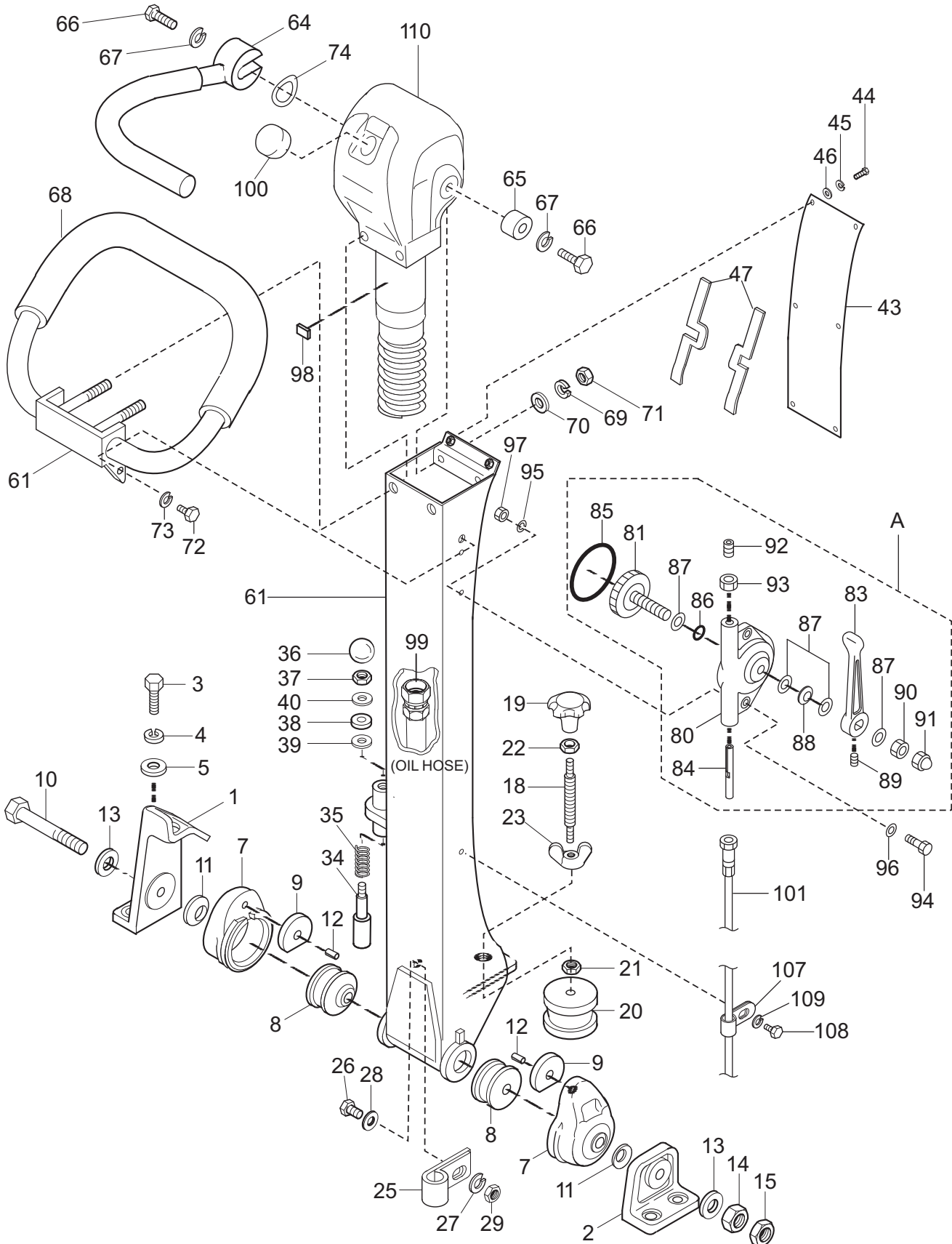
VIBRATOR ASSY



VIBRATOR ASSY

<u>NO.</u>	<u>PART NO.</u>	<u>PART NAME</u>	<u>QTY.</u>	<u>REMARKS</u>
A	466910010	VIBRATOR ASSY	1	INCLUDES ITEMS W/ #
1#	466119760	VIBRATING CASE	1	
2#	001221264	BOLT 12X120 T	6	
3#	001221235	BOLT 12X35 T	2	
4#	030212300	WASHER, LOCK M12	8	
5#	047920130	ROLLER BEARING NJ209EMC4	4	
6#	466347770	ROTARY SHAFT, DRIVE	1	
8#	951405370	KEY 15X10X39 RR	1	
9#	466347900	GEAR, DRIVE	1	
10#	080200500	STOP RING S-50	2	
11#	060104020	OIL SEAL SB-45689	1	
12#	951402300	KEY 10X8X27	1	
13#	466347780	ECCENTRIC ROTATOR	4	
14#	009120309	SOCKET HEAD BOLT 12X40T	2	
15#	466347790	ROTARY SHAFT, DRIVEN	1	
16#	009120308	SOCKET HEAD BOLT 12X25T	2	
17#	466347860	PISTON ROD	1	
18#	025510063	KNOCK PIN 10X63	1	
19#	466347800	GEAR (DRIVEN)	1	
20#	040006910	BEARING 6910	2	
21#	953010040	SEAL CAP/AC68-9	1	
25#	042506000	BEARING 6000ZZSG	2	
26#	080200100	STOP RING S-10	1	
27#	455435051	PISTON, 22.4D	1	
28#	455010070	PACKING USH-22.4X30X5	1	
29#	080100260	STOP RING R-26	1	
30#	466347810	BEARING COVER	1	
31#	466347820	CYLINDER (L)	1	
34#	001220825	BOLT 8X25 T	8	
35#	030208200	WASHER, LOCK M8	8	
36#	001220810	BOLT 8X10 T	1	
37#	953404600	COPPER PACKING 8X16X2	1	
38#	455010020	ELBOW 45° 15-0404	1	
39#	031108160	WASHER, FLAT M8	8	
46#	466347830	PULLEY	1	
47#	466461510	WASHER	1	
48#	001221230	BOLT 12X30 T	1	
49#	030212300	WASHER, LOCK M12	1	
51	466217880	BELT COVER (LOWER)	1	
52	001520855	SOCKET HEAD BOLT 8X75 T	5	

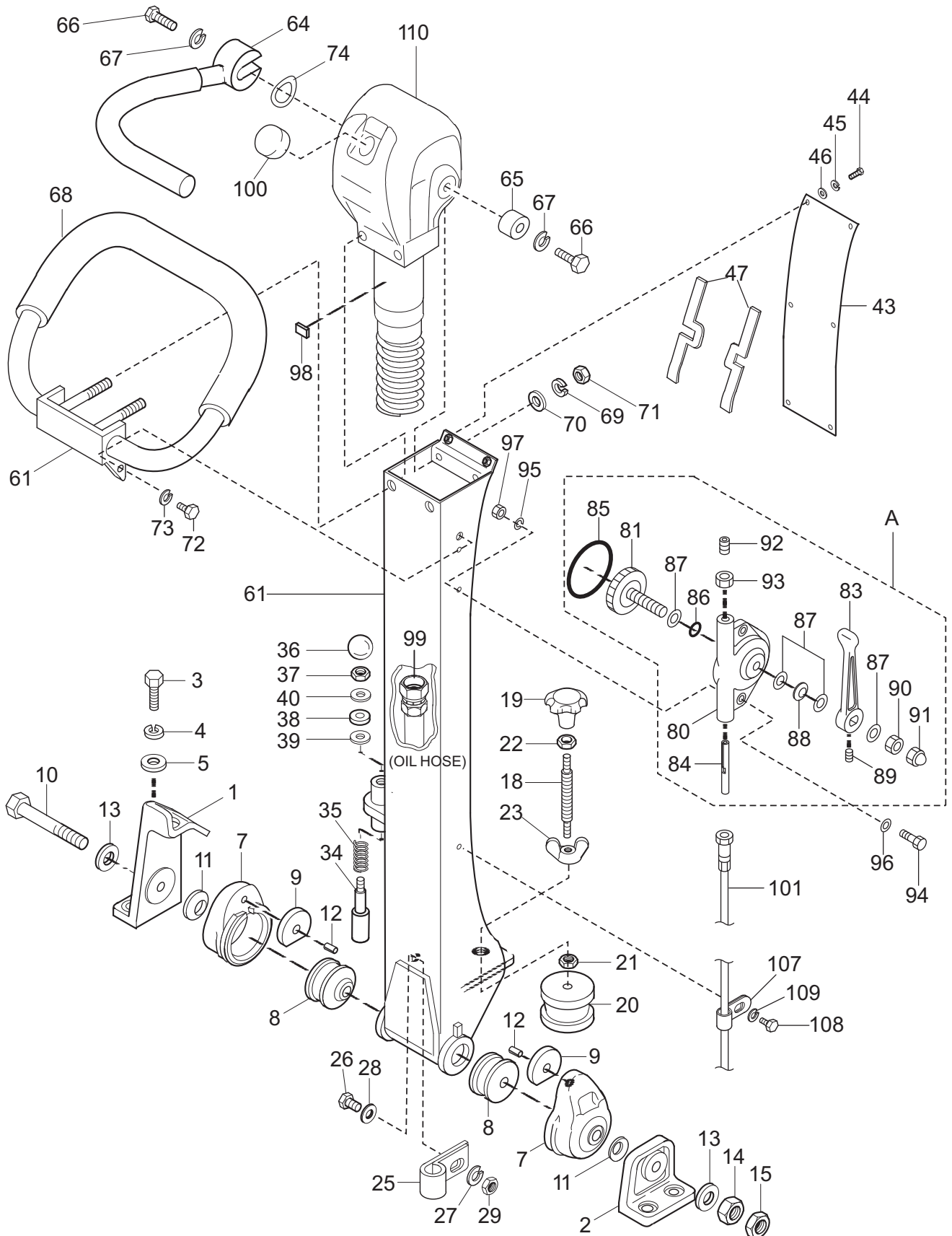
CONTROL ASSY



CONTROL ASSY

<u>NO.</u>	<u>PART NO.</u>	<u>PART NAME</u>	<u>QTY.</u>	<u>REMARKS</u>
A	362910060	THROTTLE LEVER ASSY	1	INCLUDES ITEMS W/ #
1	464343680	HANDLE BRACKET	1	
2	456336420	HANDLE BRACKET(R)	1	
3	001221235	BOLT 12X35 T	4	
4	030212300	WASHER, LOCK M12	4	
5	031112230	WASHER, FLAT M12	4	
7	456336400	RUBBER COUPLING	2	
8	456449940	SHOCK ABSORBER	2	
9	456449930	RUBBER PLATE	2	
10	001221681	BOLT 16X250 T	1	
11	032124400	CONICAL SPRING WASHER M24	2	
12	025406016	SPRING PIN 6X16	2	
13	031116260	WASHER, FLAT M16	2	
14	020316130	NUT M16	1	
15	020416100	NUT M16, H=10	1	
18	455434950	SPINDLE	1	
19	455010030	KNOB	1	
20	939010060	SHOCK ABSORBER	1	
21	020410060	NUT M10, H=6	1	
22	020412070	NUT M12, H=7	1	
23	022411635	WING NUT M16	1	
25	954404230	CLAMP SA120-18	1	
26	001220620	BOLT 6X20 T	1	
27	030206150	WASHER, LOCK M6	1	
28	031106100	WASHER, FLAT M6	1	
29	020306050	NUT M6	1	
34	501402870	HANDLE STOPPER	1	
35	501402880	SPRING/HANDLE (1.4X18X44)	1	
36	959403460	BALL GRIP 32D-M10	1	
37	020410060	NUT M10, H=6	1	
38	456449980	RUBBER PACKING 9D-20D-5T	1	
39	953405260	PACKING 1/4 (CU)	1	
40	031110160	WASHER, FLAT M10	1	
43	466217890	HANDLE COVER	1	
44	001220615	BOLT 6X15 T	6	
45	030206150	WASHER, LOCK M6	6	
46	031106100	WASHER, FLAT M6	6	
47	466462010	PACKING, HANDLE COVER	2	
61	466119770	HANDLE	1	
64	464216630	TRAVEL LEVER	1	
65	464457400	HANDLE BOSS	1	

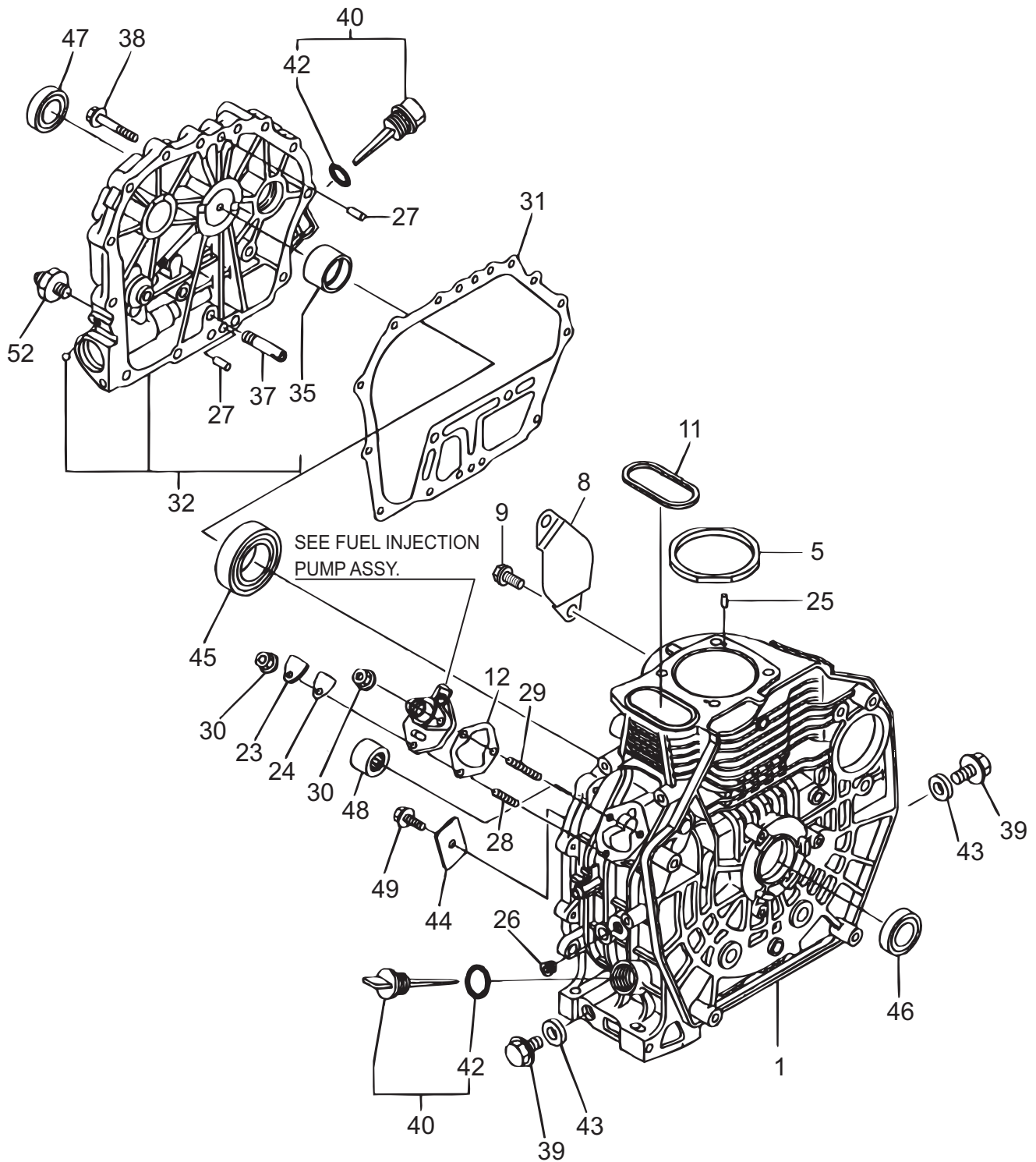
CONTROL ASSY



CONTROL ASSY

<u>NO.</u>	<u>PART NO.</u>	<u>PART NAME</u>	<u>QTY.</u>	<u>REMARKS</u>
66	001221030	BOLT 10X30 T	2	
67	030210250	WASHER, LOCK M10	2	
68	464216620	GRIP	1	
69	030210250	WASHER, LOCK M10	2	
70	031110160	WASHER, FLAT M10	2	
71	020310080	NUT M10	2	
72	001220825	BOLT 8X25 T	2	
73	030208200	WASHER, LOCK M8	2	
74	952010030	WAVE WASHER W-20	4	
80#	362341550	THROTTLE BODY	1	
81#	362910090	THROTTLE, GEAR CP, W/ BOLT	1	
83#	362455630	THROTTLE LEVER	1	
84#	362455620	SLIDER	1	
85#	050100450	O-RING G-45	1	
86#	050200100	O-RING P-10	1	
87#	031110160	WASHER, FLAT M10	4	
88#	032210220	CONICAL SPRING WASHER M10	1	
89#	096206006	SOCKET HEAD SCREW 6X6	1	
90#	020410060	NUT M10, H=6	1	
91#	022131008	CAP NUT M10	1	
92#	096208020	SOCKET HEAD SCREW 8X20	1	
93#	020408050	NUT M8, H=5	1	
94	001220625	BOLT 6X25 T	2	
95	030206150	WASHER, LOCK M6	2	
96	031106100	WASHER, FLAT M6	2	
97	020306050	NUT M6	2	
98	464457930	RUBBER PIECE (T2)	1	
99	954002270	OIL HOSE W/ SPRING 1/4X920	1	
100	458451630	BREATHER CAP	1	
101	956100065	THROTTLE WIRE	1	
107	20675501-01	CLAMP COMPL	3	
108	001220615	BOLT 6X15 T	1	
109	030206150	WASHER, LOCK M6	1	
110	4663-47890	HAND PUMP	1	

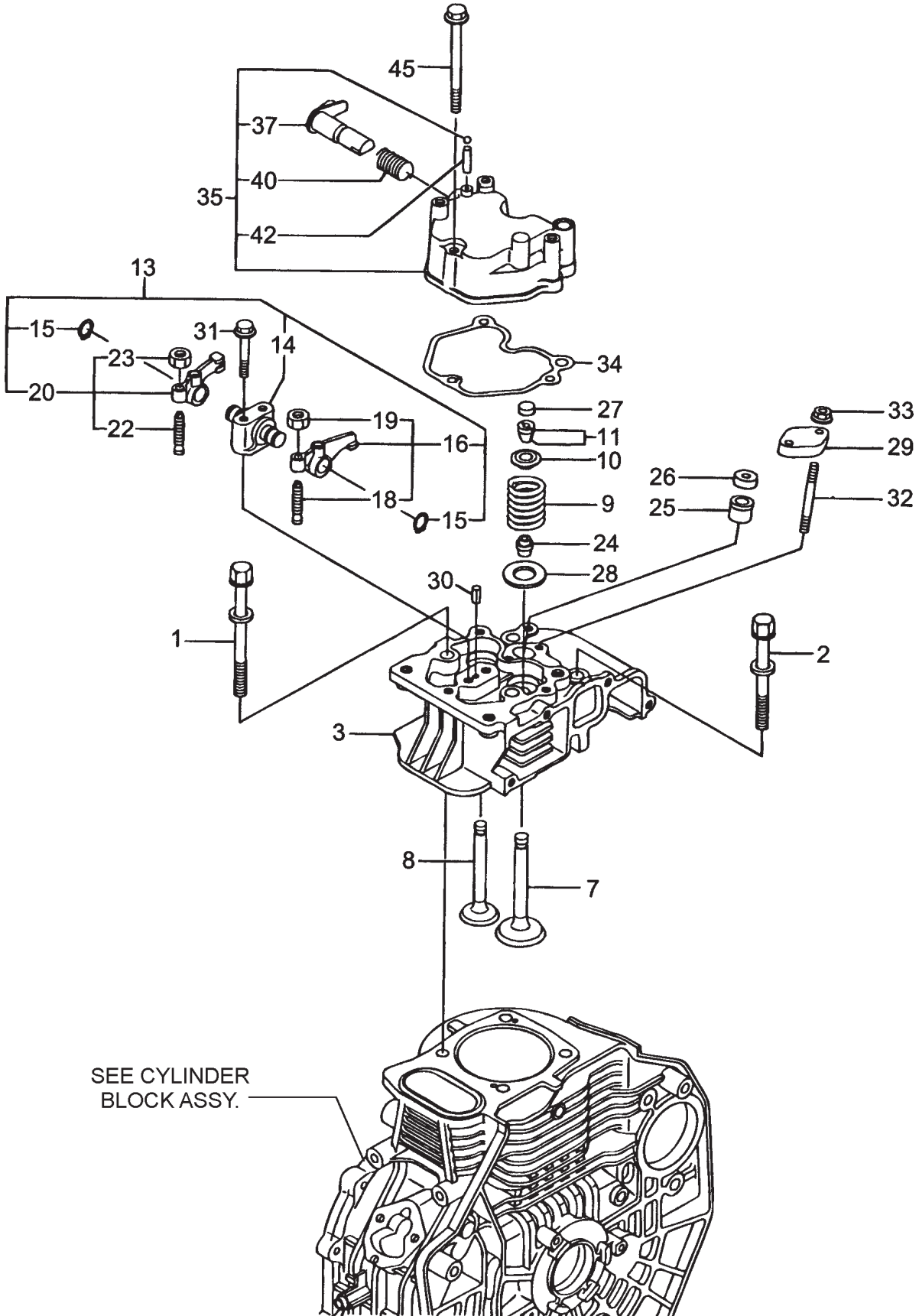
L70V6GF1R1AA — CYLINDER BLOCK ASSY



L70V6GF1R1AA — CYLINDER BLOCK ASSY

<u>NO.</u>	<u>PART NO.</u>	<u>PART NAME</u>	<u>QTY.</u>	<u>REMARKS</u>
1	11421001010	CYLINDER BLOCK ASSY.	1	
5	11439501330	CYLINDER HEAD GASKET ASSY.	1	
8	11435001800	COVER, STARTER	1	
9	26106100122	BOLT M10X20 PLATED	2	
11	11439901380	O- RING	1	
12	11429901800	SHIM SET	1	
23	11429901830	COVER (FO PUMP)	1	
24	11425001841	GASKET	1	
25	22312040080	PIN 4X8 STRAIGHT	2	
26	23875020000	PLUG PT1/4 STEEL	1	
27	11429901600	PIN, 8X12	2	
28	26226060182	STUD M 6X18 PLATED	1	
29	26226060222	STUD M 6X22 PLATED	2	
30	26366060002	NUT M6	3	
31	11439901410	CRANKCASE GASKET	1	
32	11421001460	CRANKCASE COVER D	1	INCLUDES ITEMS W/ *
35*	11435002100	MAIN BEARING US=STD.	1	
35	11435002200	MAIN BEARING US=0.25	1	
35	11435002210	MAIN BEARING US=0.50	1	
37	11429935150	L.O. INLET PIPE	1	
38	26106080352	BOLT M 8X35 PLATED	15	
39	11429901690	PLUG M16	2	
40	11469901760	OIL GAUGE CAP, W/LUB	2	INCLUDES ITEMS W/ \$
42\$	24311000180	O- RING	2	
43	22190160002	SEAL WASHER 16S	2	
44	11429902030	RETAINER	1	
45	11435002113	BALL BEARING	1	
46	16011002220	OIL SEAL	1	
47	16011002220	OIL SEAL	1	
48	24162152116	NEEDLE BEARING	1	
49	26106080122	BOLT M 8X12 PLATED	1	
52	23876010000	PLUG PT 1/8	1	

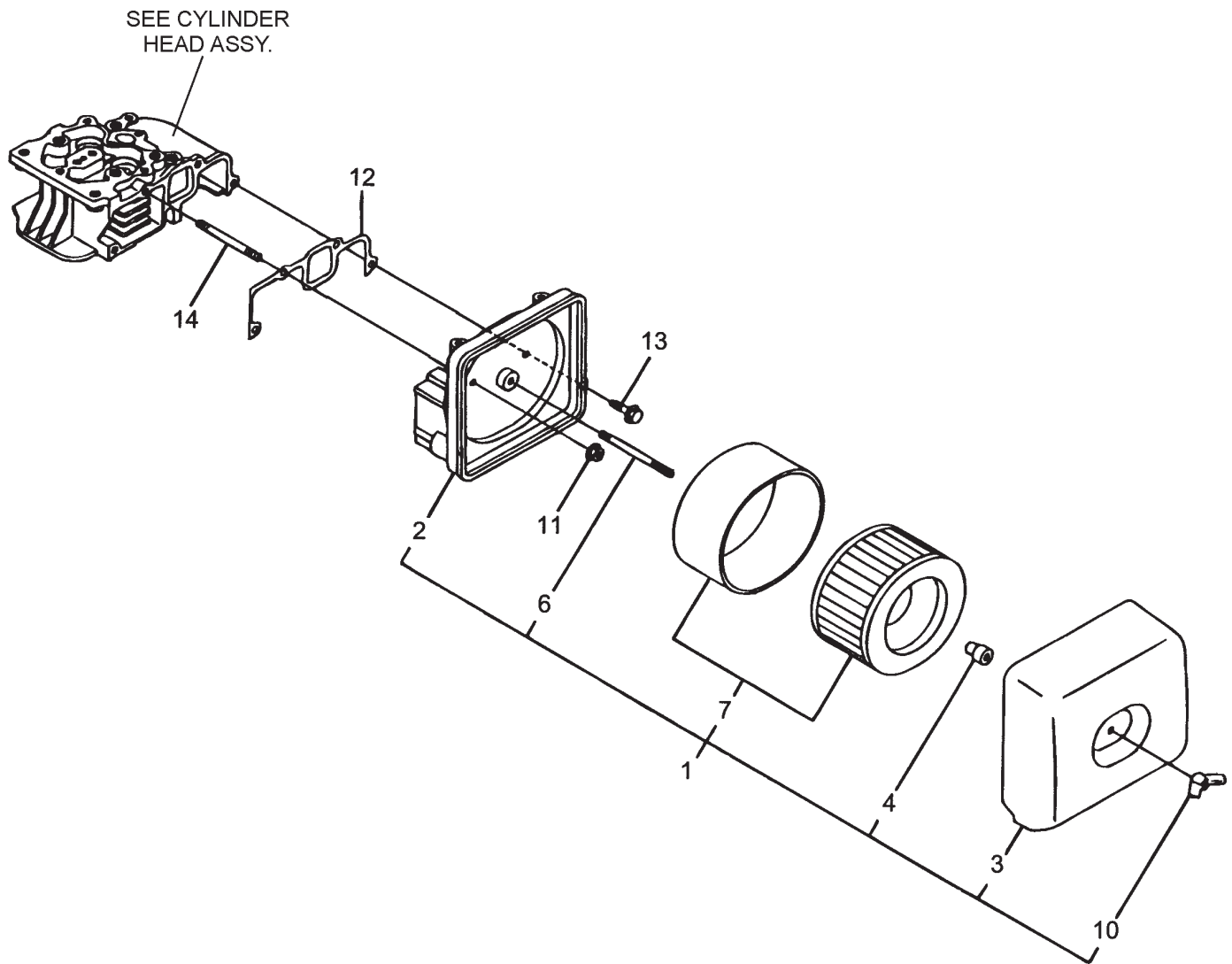
L70V6GF1R1AA — CYLINDER HEAD ASSY



L70V6GF1R1AA — CYLINDER HEAD ASSY

<u>NO.</u>	<u>PART NO.</u>	<u>PART NAME</u>	<u>QTY.</u>	<u>REMARKS</u>
1	11421001200	CYLINDER HEAD A BOLT	2	
2	11421001210	CYLINDER HEAD B BOLT	2	
3	11421011020	CYLINDER HEAD ASSY.	1	
7	11421011100	INTAKE VALVE	1	
8	11421011110	EXHAUST VALVE	1	
9	11421011120	VALVE SPRING	2	
10	11421011180	SPRING RETAINER	2	
11	11421011930	COTTER ASSY.	2	
13	11421011250	SUPPORT ASSY. ROCKER	1	INCLUDES ITEMS W/ #
14#	11421011260	ROCKER ARM SUPPORT	1	
15#	11421011280	C TYPE RETAINING PIN	2	
16#	11421011650	INTAKE ARM ASSY.	1	INCLUDES ITEMS W/ %
18%	11429911240	ADJUSTING SCREW	1	
19%	26856060002	LOCK NUT 6	1	
20#	11421011660	EXHAUST ARM ASSY.	1	INCLUDES ITEMS W/ \$
22\$	11429911240	ADJUSTING SCREW	1	
23\$	26856060002	LOCK NUT 6	1	
24	11435011340	VALVE STEM SEAL	2	
25	11477111461	NOZZLE GASKET	1	
26	11429511470	NOZZLE SPACER	1	
27	10501011490	VALVE CAP	2	
28	11429911600	VALVE SPRING WASHER	2	
29	11421011900	NOZZLE RETAINER	1	
30	22351040008	SPRING PIN 4X8	1	
31	26106060402	BOLT M6X40 PLATED	2	
32	26226060552	STUD M 6X55	2	
33	26366060002	NUT M6	2	
34	11421011310	BONNET GASKET	1	
35	11421011950	BONNET HEAD ASSY.	1	INCLUDES ITEMS W/ *
37*	11421003590	DECOMP SHAFT ASSY.	1	
40*	11429903640	DECOMP SPRING	1	
42*	22312030160	PARALLEL PIN 3X16	1	
45	26106060552	BOLT M 6X55 PLATED	1	

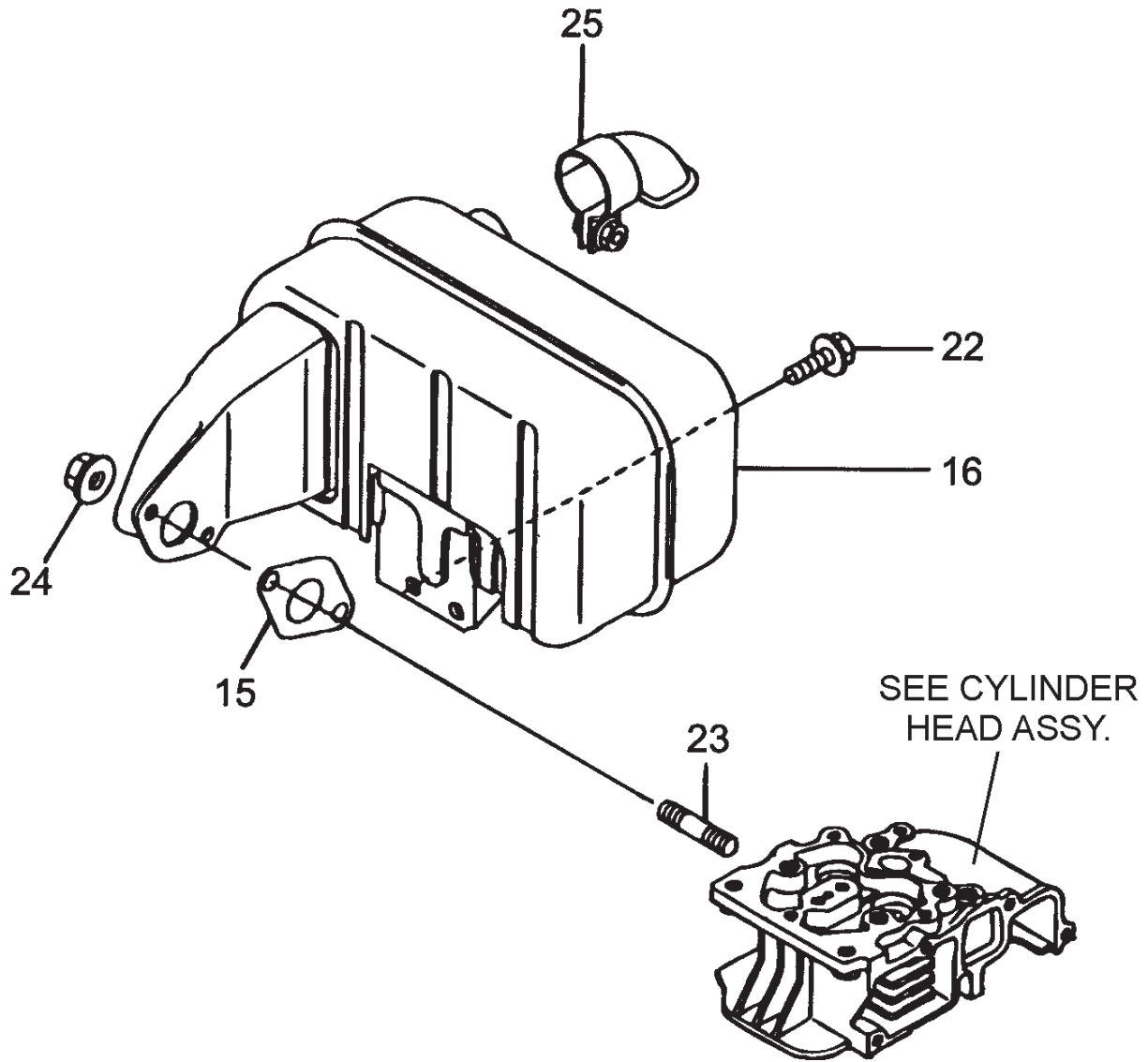
L70V6GF1R1AA — AIR CLEANER ASSY



L70V6GF1R1AA — AIR CLEANER ASSY

<u>NO.</u>	<u>PART NO.</u>	<u>PART NAME</u>	<u>QTY.</u>	<u>REMARKS</u>
1	11421012510	AIR CLEANER ASSY.	1	INCLUDES ITEMS W/ *
2*	11421012020	AIR CLEANER BODY	1	
3*	11421012520	AIR CLEANER COVER	1	
4*	11421012560	WING NUT	1	
6*	11421012580	STUD BOLT	1	
7*	11421012590	ELEMENT ASSY.	1	
10*	11421012600	KNOCKING KNOB	1	
11	11429912300	U-NUT	3	
12	11421012210	AIR CLEANER GASKET	1	
13	26106060202	BOLT M 6X20 PLATED	1	
14	26226060302	STUD M 6X30	3	

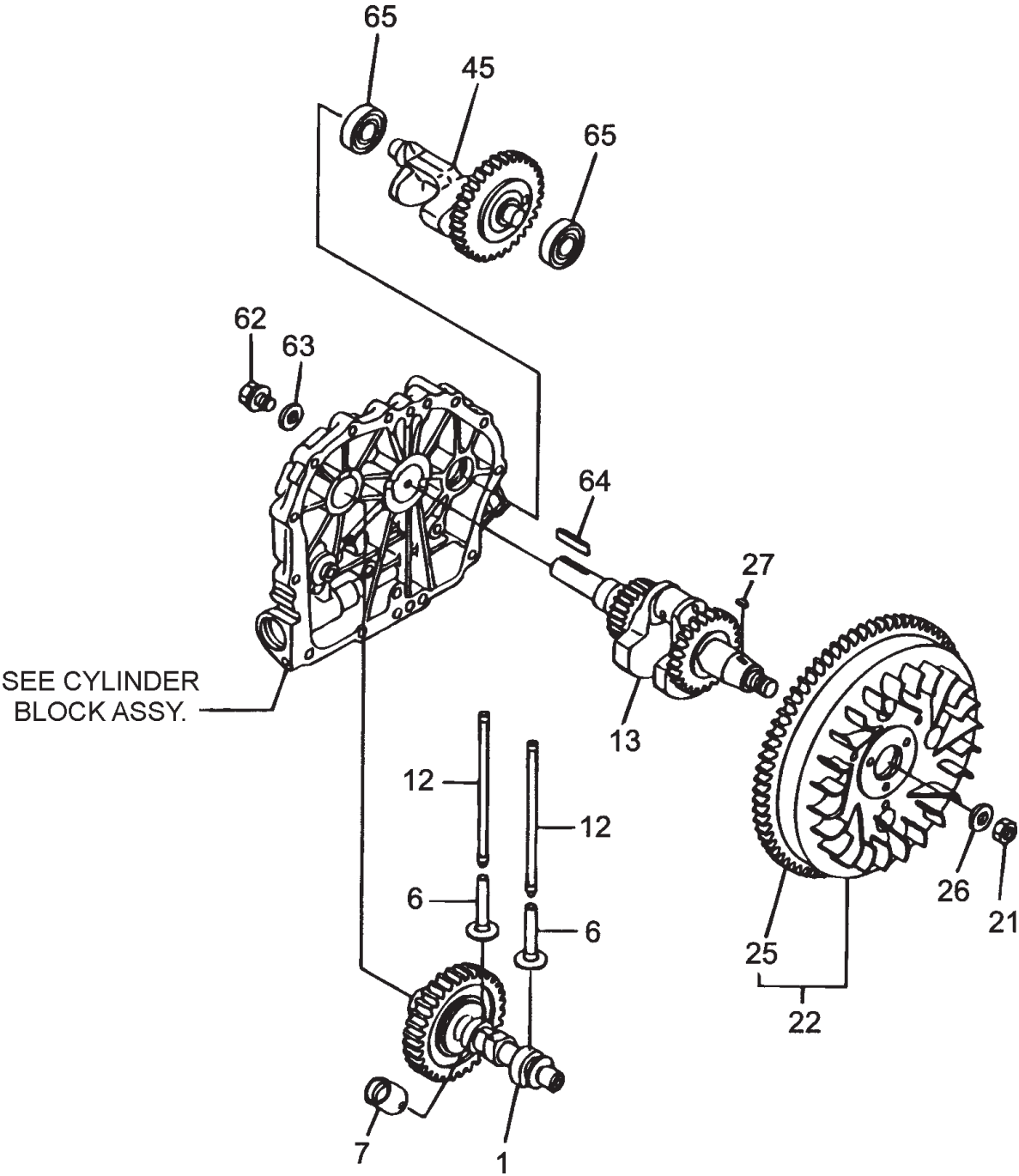
L70V6GF1R1AA — MUFFLER ASSY



L70V6GF1R1AA — MUFFLER ASSY

<u>NO.</u>	<u>PART NO.</u>	<u>PART NAME</u>	<u>QTY.</u>	<u>REMARKS</u>
15	11429913200	MUFFLER GASKET	1	
16	11439913520	MUFFLER ASSY.	1	
22	26106060142	BOLT M 6X14 PLATED	2	
23	26216080182	STUD M 8X18 PLATED	2	
24	26366080002	NUT M8	2	
25	11429913800	EXHAUST DEFECTOR	1	

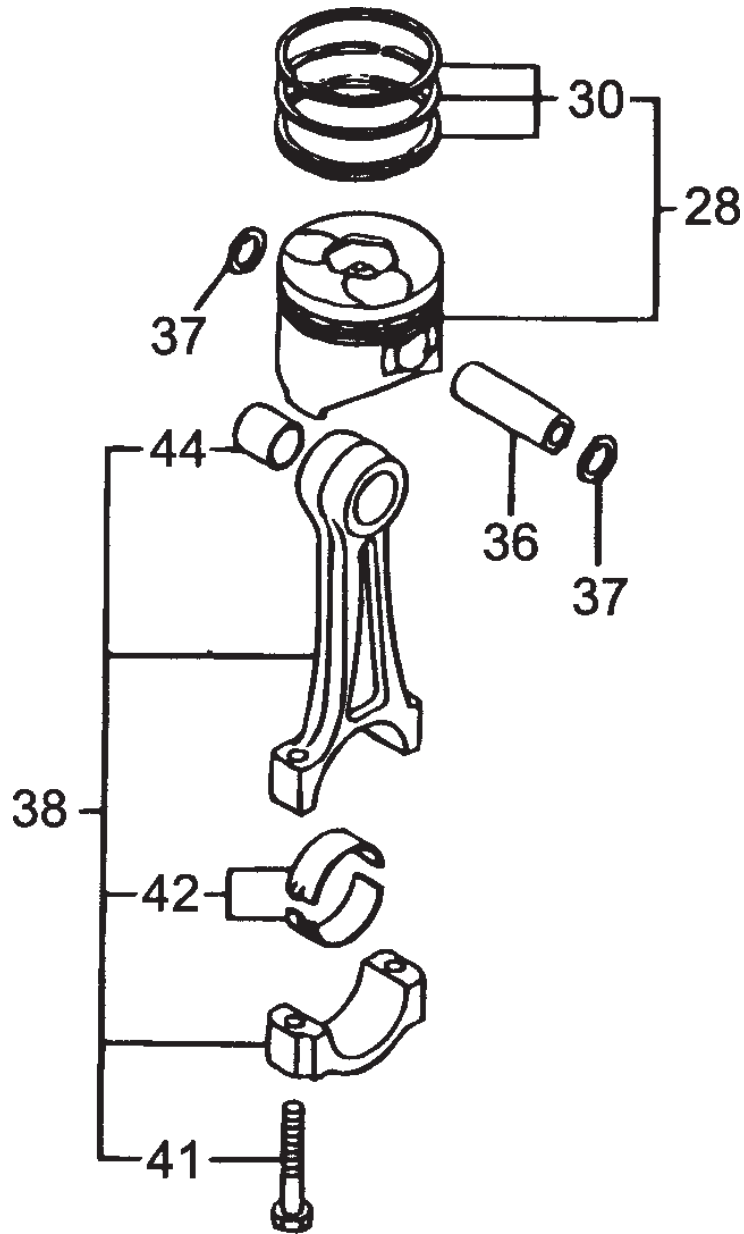
L70V6GF1R1AA — CRANKSHAFT AND CAMSHAFT ASSY



L70V6GF1R1AA — CRANKSHAFT AND CAMSHAFT ASSY

<u>NO.</u>	<u>PART NO.</u>	<u>PART NAME</u>	<u>QTY.</u>	<u>REMARKS</u>
1	71421014580	CAMSHAFT ASSY.	1	
6	11421014200	TAPPET	2	
7	11421014300	ROLLER TAPPET ASSY.	1	
12	11421014400	PUSH ROD ASSY.	2	
13	71421021740	CRANKSHAFT (D) ASSY.	1	
21	11428821220	NUT	1	
22	11439921590	FLYWHEEL (DE) ASSY.	1	INCLUDES ITEM W/ *
25*	11436221600	RING GEAR	1	
26	11429921550	FLYWHEEL WASHER	1	
27	22512040120	KEY 4X12	1	
45	71421028510	BALANCER SHAFT ASSY.	1	
62	26106080202	BOLT M 8X20 PLATED	1	
63	16031014550	WASHER	1	
64	22512070360	KEY 7X36 RR	1	
65	24101062030	BEARING	2	

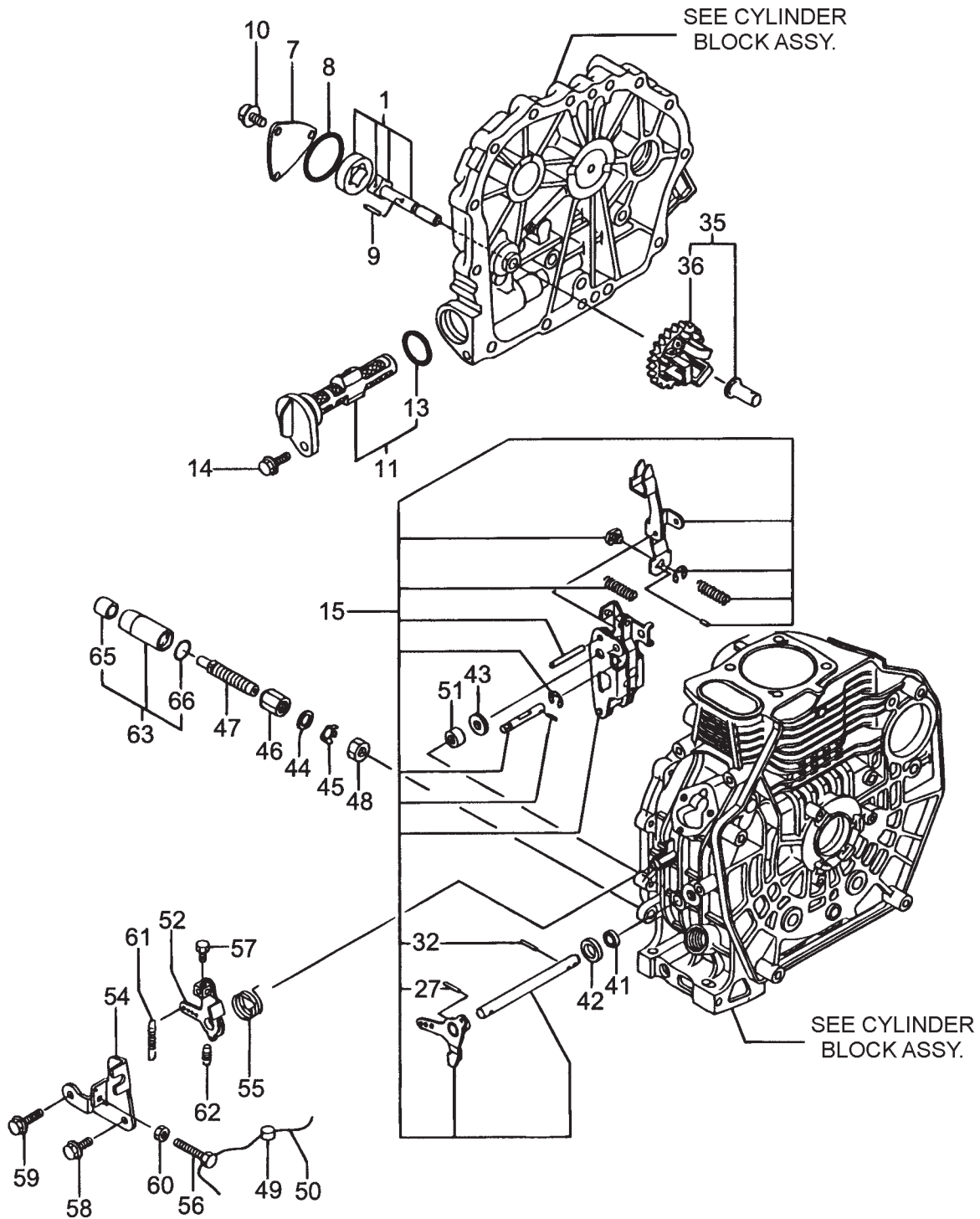
L70V6GF1R1AA — PISTON ASSY



L70V6GF1R1AA — PISTON ASSY

<u>NO.</u>	<u>PART NO.</u>	<u>PART NAME</u>	<u>QTY.</u>	<u>REMARKS</u>
28	71421022720	PISTON W/ RINGS STD	1	INCLUDES ITEMS W/ #
28	71421022620	PISTON W/ RINGS OS=0.25	1	INCLUDES ITEMS W/ \$
28	71421022580	PISTON W/ RINGS OS=0.50	1	INCLUDES ITEMS W/ %
30#	71487022502	PISTON RINGS SET=STD.	1	
30\$	71487022542	PISTON RING SET 0.S.=0.25	1	
30%	71487022552	PISTON RING SET 0.2=0.50	1	
36	11439922300	PISTON PIN	1	
37	22252000210	CIRCLIP 21	2	
38	71421023700	CONNECTING ROD ASSY.	1	INCLUDES ITEMS W/ *
41*	11820023200	ROD BOLT	2	
42*	11421023600	CRANK PIN BEARING STD.	1	
42*	11421023610	CRANK BEARING PIN U.S.=0.25	1	
42*	11421023620	CRANK BEARING PIN U.S.=0.50	1	
44*	11438023100	PISTON PIN BUSH	1	

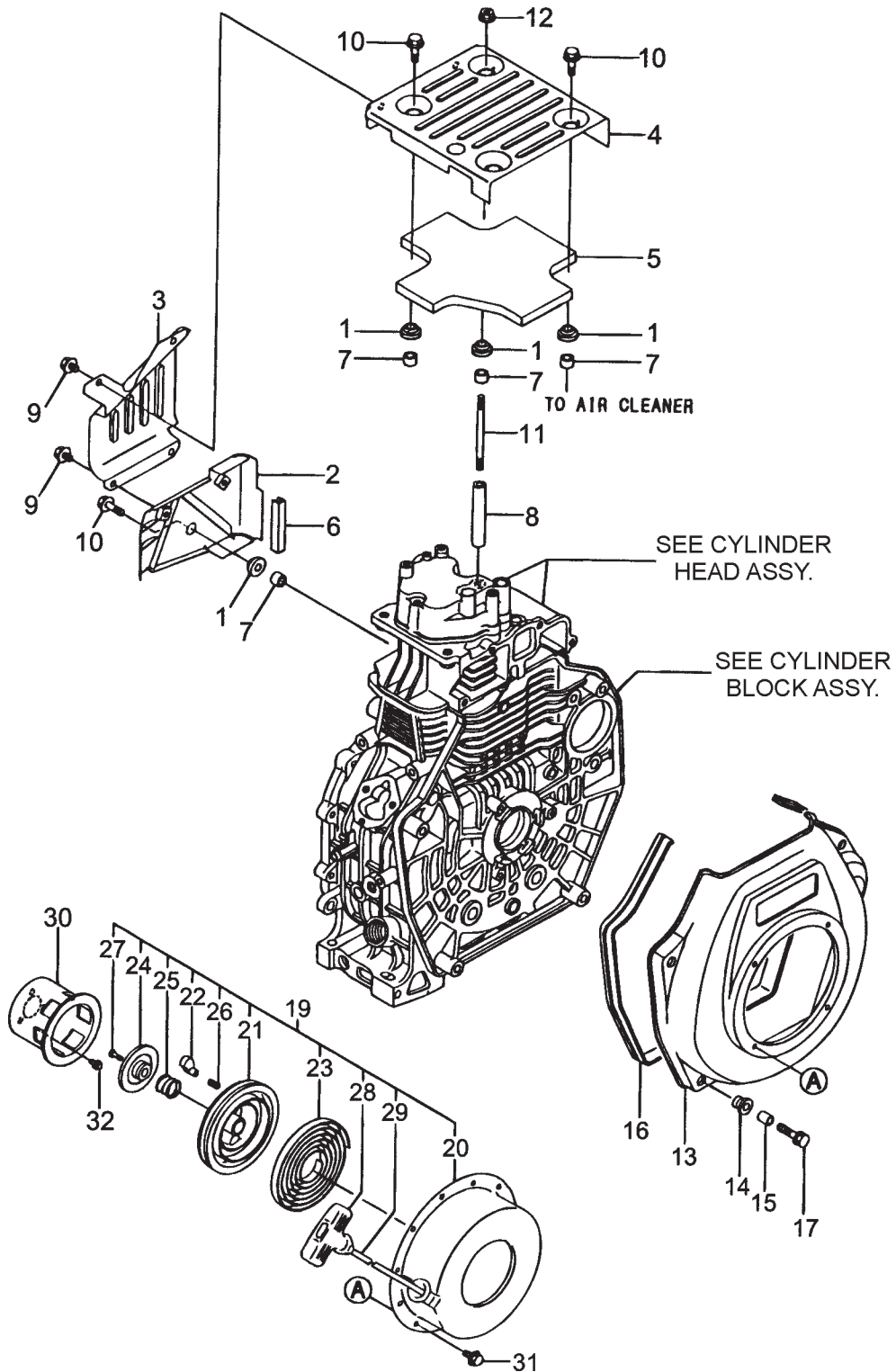
L70V6GF1R1AA — LUB. OIL PUMP AND GOVERNOR ASSY



L70V6GF1R1AA — LUB. OIL PUMP AND GOVERNOR ASSY

<u>NO.</u>	<u>PART NO.</u>	<u>PART NAME</u>	<u>QTY.</u>	<u>REMARKS</u>
1	11425032010	LUB. OIL PUMP ASSY.	1	
7	11429932070	LUB. OIL PUMP COVER	1	
8	11429932570	O- RING COVER	1	
9	22312030160	PARALLEL PIN 3X16	1	
10	26106060122	BOLT M 6X12 PLATED	3	
11	11429935110	LUBE OIL FILTER COMPLETE	1	INCLUDES ITEMS W/ *
13*	24341000224	O- RING 1A S- 22.4	1	
14	26106060162	BOLT M 6X16 PLATED	1	
15	11421061500	LEVER ASSY.	1	INCLUDES ITEMS W/ #
27#	22322030200	TAPER PIN 3X20	1	
32#	22322030200	TAPER PIN 3X20	1	
35	71421061700	GOVERNOR ASSY.	1	INCLUDES ITEMS W/ +
36+	11421061290	GOVERNOR WEIGHT ASSY.	1	
41	11429961600	OIL SEAL	1	
42	11477061610	THRUST WASHER	1	
43	11429961190	GOVERNOR WASHER	1	
44	11477161810	PLAIN WASHER 14	1	
45	11477161830	PLATE	1	
46	11429561940	NUT	1	
47	11477166600	FUEL LIMITER ASSY.	1	
48	11477166690	NUT M14	1	
49	13521061090	LEAD	1	
50	22451060000	WIRE 0.6	1	
51	11477061520	NEEDLE BEARING	2	
52	11425266051	REGULATOR HANDLE	1	
54	18336066110	REGULATOR BRACKET	1	
55	11429966250	RETURN SPRING	1	
56	11429966440	ADJUSTING BOLT	1	
57	10522566990	SCREW	1	
58	26106060142	BOLT M 6X14 PLATED	1	
59	26106060202	BOLT M 6X20 PLATED	1	
60	26757060002	LOCK NUT M6 PLATED	1	
61	11421066010	REGULATOR SPRING	1	
62	11429966200	RETURN SPRING	1	
63	11477161890	PROTECTOR COMPLETE	1	INCLUDES ITEMS W/%
65%	11477161960	SPACER	1	
66%	24311000180	O- RING 1A P- 18.0	1	

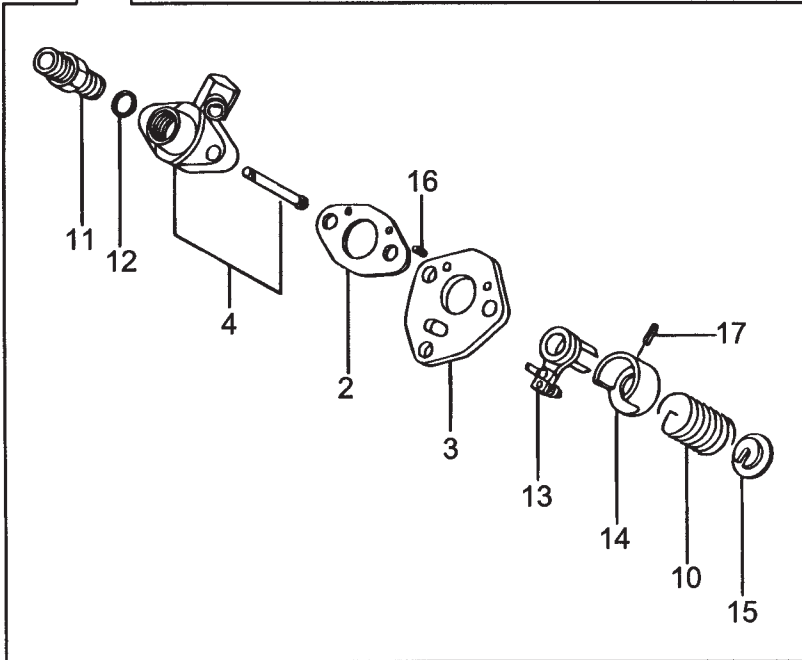
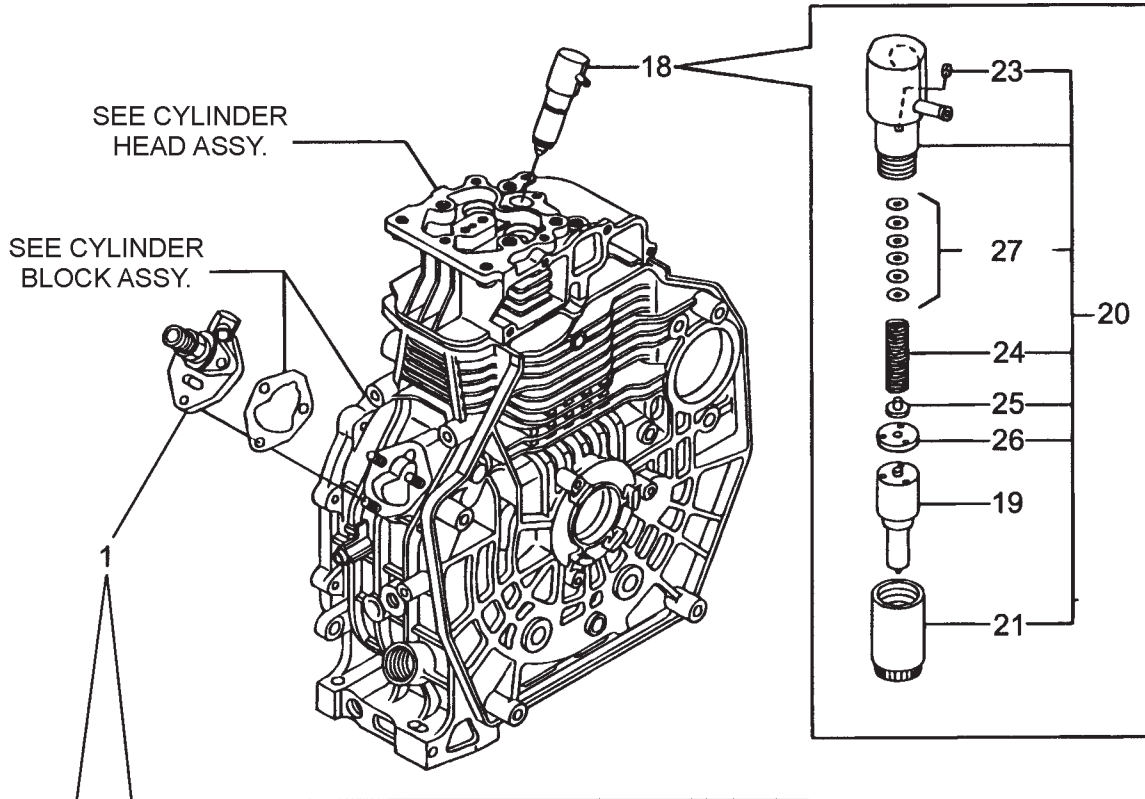
L70V6GF1R1AA — COOLING AND STARTING DEVICE ASSY



L70V6GF1R1AA — COOLING AND STARTING DEVICE ASSY

<u>NO.</u>	<u>PART NO.</u>	<u>PART NAME</u>	<u>QTY.</u>	<u>REMARKS</u>
1	11429945220	TANK GROMMET	5	
2	11421045260	SIDE COVER B (13)	1	
3	11421045270	SIDE COVER A (13)	1	
4	11421045300	TOP COVER, BLACK (13)	1	
5	11421045310	DAMPER	1	
6	11439945320	SEAL RUBBER	1	
7	11439945340	CYLINDER COLLAR COVER	5	
8	11421045350	TOP COVER SPACER	1	
9	26106060082	BOLT M 6X8 PLATED	4	
10	26106060202	BOLT M 6X20 PLATED	4	
11	26226060852	BOLT STUD 6X85	1	
12	26366060002	NUT M 6	1	
13	11421045100	FAN CASE (SILVER) (17)	1	
14	11429945300	CUSHION RUBBER	4	
15	11429945310	FAN CASE COLLAR	4	
16	11429945330	FAN CASE SEAL	1	
17	11429945350	FAN CASE BOLT	4	
19	11439976250	RECOIL STARTER (D) ASSY.....	1	INCLUDES ITEMS W/ *
20*	11439976510	STARTER CASE	1	
21*	11439976520	RECOIL REEL	1	
22*	11439976530	RATCHET	1	
23*	11439976540	SPIRAL SPRING	1	
24*	11439976550	RATCHET COVER	1	
25*	11439976560	SPRING	1	
26*	11439976570	RETURN SPRING	1	
27*	11439976580	SCREW	1	
28*	11439976620	STARTER KNOB	1	
29*	11439976630	STARTER ROPE	1	
30	11439976590	STARTER PULLEY	1	
31	26106060082	BOLT M 6 X 8 PLATED	4	
32	26106060122	BOLT M 6 X 12 PLATED	3	

L70V6GF1R1AA — FUEL INJECTION PUMP ASSY



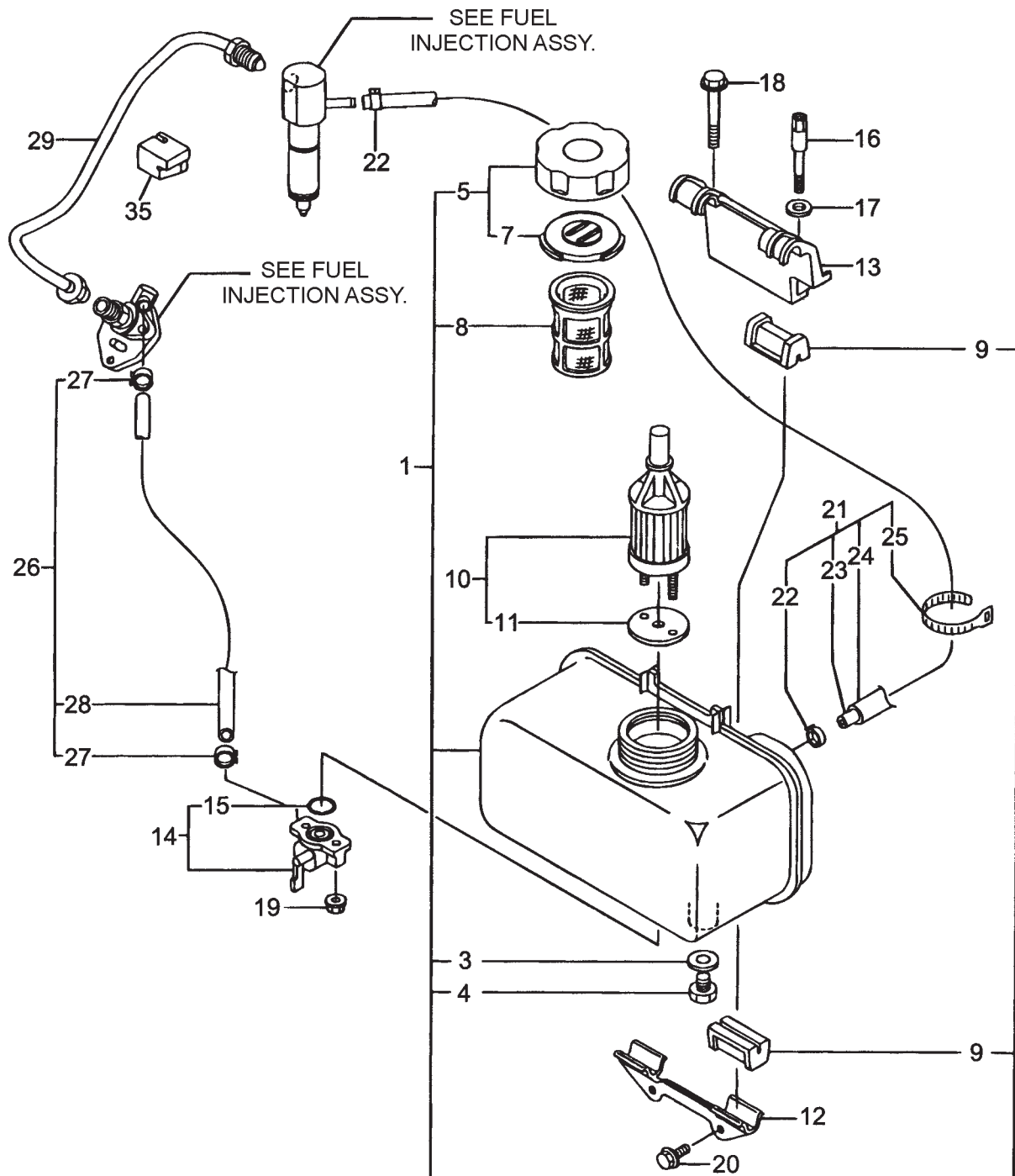
- T=1 00
- T=1 05
- T=1 10
- T=1 15
- T=1 20
- T=1 25
- T=1 30
- T=1 35
- T=1 40
- T=1 45
- T=1.50
- T=1 55
- T=1 60
- T=1 65
- T=1 70
- T=1 75
- T=1 80
- T=1 85
- T=1 90
- T=1 95
- T=2 00

SHIMS, USE AS
REQUIRED FOR
ITEM 27.

L70V6GF1R1AA — FUEL INJECTION PUMP ASSY

<u>NO.</u>	<u>PART NO.</u>	<u>PART NAME</u>	<u>QTY.</u>	<u>REMARKS</u>
1	71421051100	FUEL INJECTION PUMP ASSY	1	INCLUDES ITEMS W/ *
2*	10554651020	GASKET	1	
3*	11425051080	PLATE	1	
4*	11421051200	FUEL INJECTION PUMP BODY	1	
10	11425051160	SPRING	1	
11*	11421051300	DELIVERY VALVE ASSY.	1	
12*	12455051350	DELIVERY GASKET	1	
13*	11425051600	CONTROL LEVER ASSY.	1	
14*	11425051640	SPRING SEAT A	1	
15*	11425051650	SPRING SEAT B	1	
16*	22351020006	SPRING PIN 2X6	2	
17*	22351030008	SPRING PIN 3X8	1	
18	71421053100	FUEL INJECTOR	1	INCLUDES ITEMS W/ \$
19\$	11421053000	NOZZLE ASSY.	1	
20\$	11421053100	NOZZLE HOLDER ASSY.	1	INCLUDES ITEMS W/ #
21#	11421053080	NOZZLE NUT	1	
23#	11421053330	PIN	1	
24#	11421053120	NOZZLE SPRING	1	
25#	11421053130	SPRING SEAT	1	
26#	11421053140	VALVE SPACER ASSY.	1	
27#	11421053410	SHIM (T=1.00)	1	
27	11421053420	SHIM (T=1.05)	1	
27	11421053430	SHIM (T=1.10)	1	
27	11421053440	SHIM (T=1.15)	1	
27	11421053450	SHIM (T=1.20)	1	
27	11421053460	SHIM (T=1.25)	1	
27	11421053470	SHIM (T=1.30)	1	
27	11421053480	SHIM (T=1.35)	1	
27	11421053490	SHIM (T=1.40)	1	
27	11421053500	SHIM (T=1.45)	1	
27	11421053510	SHIM (T=1.50)	1	
27	11421053520	SHIM (T=1.55)	1	
27	11421053530	SHIM (T=1.60)	1	
27	11421053540	SHIM (T=1.65)	1	
27	11421053550	SHIM (T=1.70)	1	
27	11421053560	SHIM (T=1.75)	1	
27	11421053570	SHIM (T=1.80)	1	
27	11421053580	SHIM (T=1.85)	1	
27	11421053590	SHIM (T=1.90)	1	
27	11421053600	SHIM (T=1.95)	1	
27	11421053610	SHIM (T=2.00)	1	

L70V6GF1R1AA — FUEL TANK AND FUEL LINE ASSY



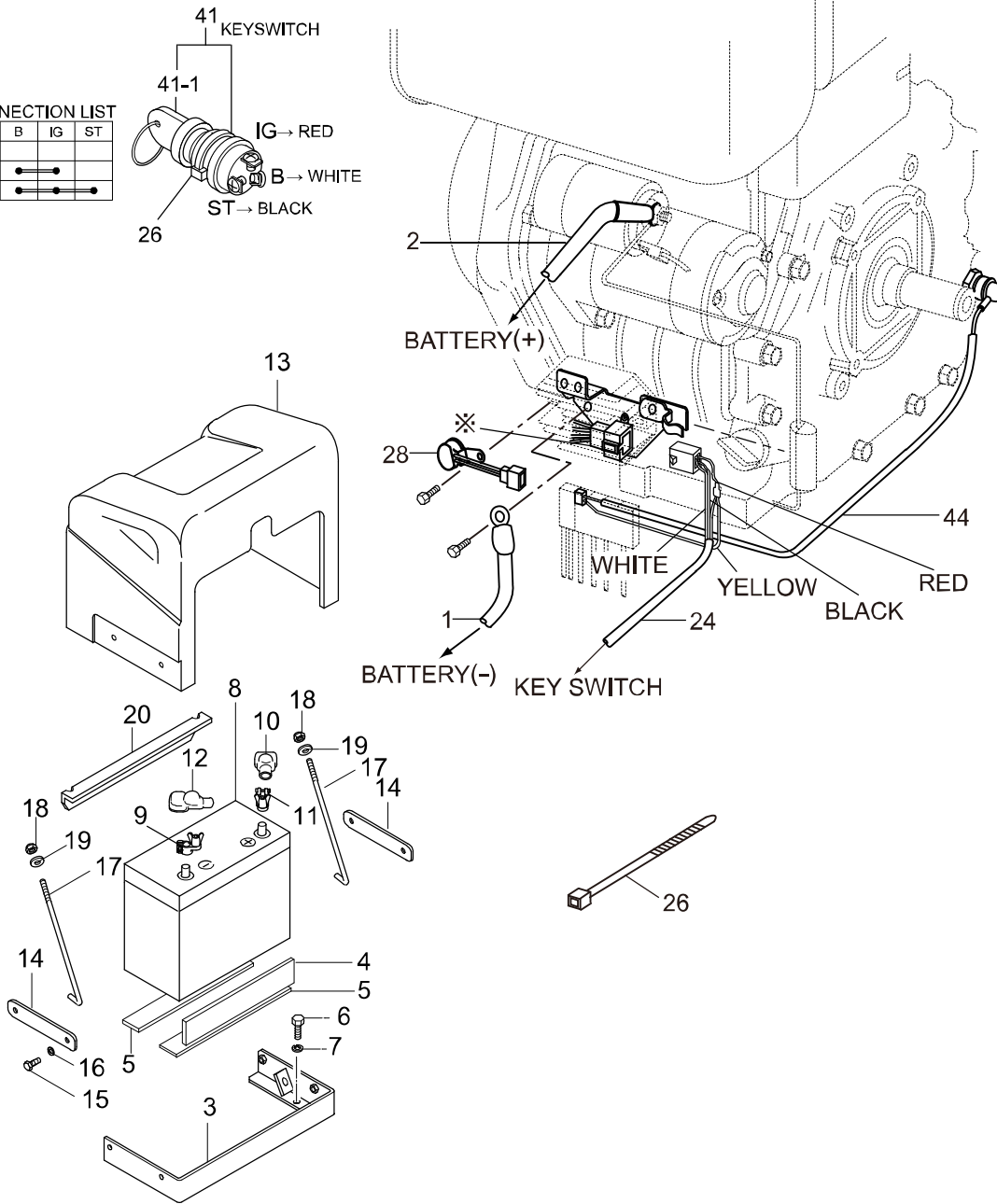
L70V6GF1R1AA — FUEL TANK AND FUEL LINE ASSY

<u>NO.</u>	<u>PART NO.</u>	<u>PART NAME</u>	<u>QTY.</u>	<u>REMARKS</u>
1	71421055700	BLACK FUEL TANK (13)	1	INCLUDES ITEMS W/ *
3*	23414080000	PACKING 8	1	
4*	10530055080	DRAIN PLUG	1	
5*	11428855041	FUEL TANK CAP ASSY.	1	INCLUDES ITEMS W/ +
7+	11428855081	CAP VALVE	1	
8*	11429955100	FUEL OIL FILTER	1	
9*	11425055201	FUEL TANK DAMPER	4	
10	11425055121	FUEL FILTER	1	INCLUDES ITEMS W/ #
11#	11425055130	GASKET	1	
12	11421055210	FUEL TANK STAY A	1	
13	11421055230	FUEL TANK STAY B	1	
14	11425055301	FUEL COCK ASSY.	1	INCLUDES ITEM W/ \$
15\$	24341000150	O- RING 1A S- 15.0	1	
16	11421055810	LIFTING BOLT	1	
17	22117080000	WASHER 8	1	
18	26106080452	BOLT M 8X 45 PLATED	1	
19	26366060002	NUT M 6	2	
20	26106060162	BOLT M 6X 16 PLATED	2	
21	11421059200	RETURN PIPE ASSY.	1	INCLUDES ITEMS W/ %
22%	12472259050	CLAMP 9	2	
23%	11465059060	FUEL RETURN PIPE	1	
24%	11465259310	PROTECT TUBE	1	
25%	12175059890	RETAINER	1	
26	11477059030	FUEL OIL PIPE ASSY.	1	INCLUDES ITEMS W/ >
27>	11427059010	HOSE CLIP	2	
28>	11426859061	FUEL OIL PIPE	1	
29	11421059800	FUEL INJECTION PIPE	1	
35	11421059850	INJECTION PIPE SUPPORT	1	

L70V6GF1R1AA — ELECTRIC DEVICE ASSY

CONNECTION LIST

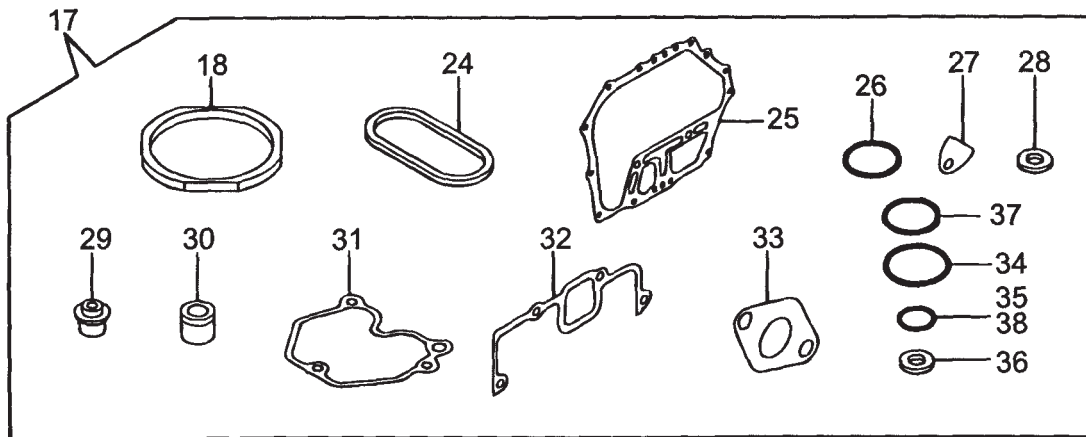
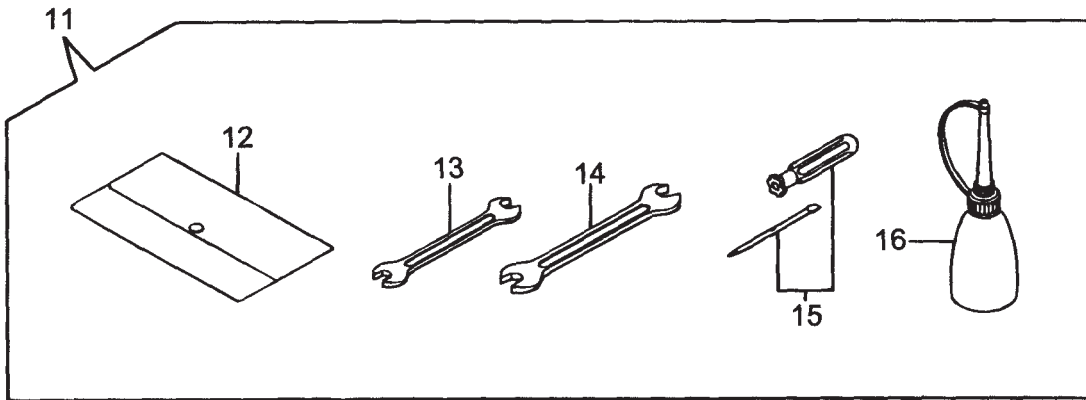
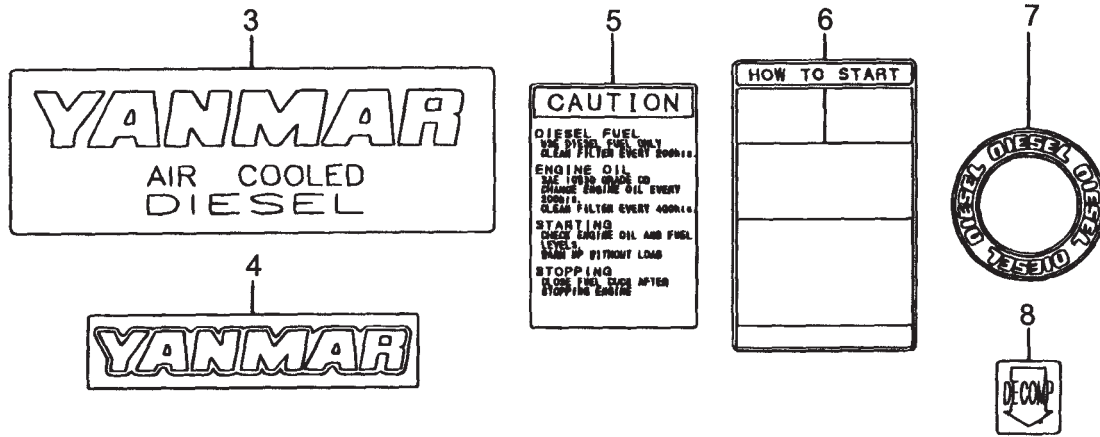
	B	IG	ST
OFF			
1	●	●	
2	●		●



L70V6GF1R1AA — ELECTRIC DEVICE ASSY

<u>NO.</u>	<u>PART NO.</u>	<u>PART NAME</u>	<u>QTY.</u>	<u>REMARKS</u>
1	464457460	BATTERY CORD (-) 400L	1	
2	464457470	BATTERY CORD (+) 550L	1	
3	466217900	CRADLE, BATTERY	1	
4	456447590	RUBBER PLATE (E) 28X240X5	1	
5	456447600	RUBBER PLATE 50X240X10	2	
6	001221020	BOLT 10X20 T	2	
7	030210250	WASHER, LOCK M10	2	
8	955010090	BATTERY 55B24L	1	
9	955300490	BATTERY TERMINAL (-)	1	
10	955300470	TERMINAL COVER (-)	1	
11	955300480	BATTERY TERMINAL (+)	1	
12	955300460	TERMINAL COVER (+)	1	
13	466021010	COVER, BATTERY(G)	1	
13	466021020	COVER, BATTERY(OR)	1	
13	466021030	COVER, BATTERY (W)	1	
14	466461520	FIXED PLATE, BATTERY COVER	2	
15	001220825	BOLT 8X25 T	4	
16	030208200	WASHER, LOCK M8	4	
17	464457390	BATTERY BOLT	2	
18	022710809	NYLON NUT M8	2	
19	031108160	WASHER, FLAT M8	2	
20	464343740	HOLDER, BATTERY	1	
24	466462030	WIRE CP	1	
26	454010020	CLAMP TC-100	3	
28	955300400	BUZZER (EBL)	1	
41	955300680	STARTER SWITCH ASSY	1	
41-1	955000010	KEY (STARTER SWITCH)	1	
44	10519878570	HARNESS (C), WIRE	1	

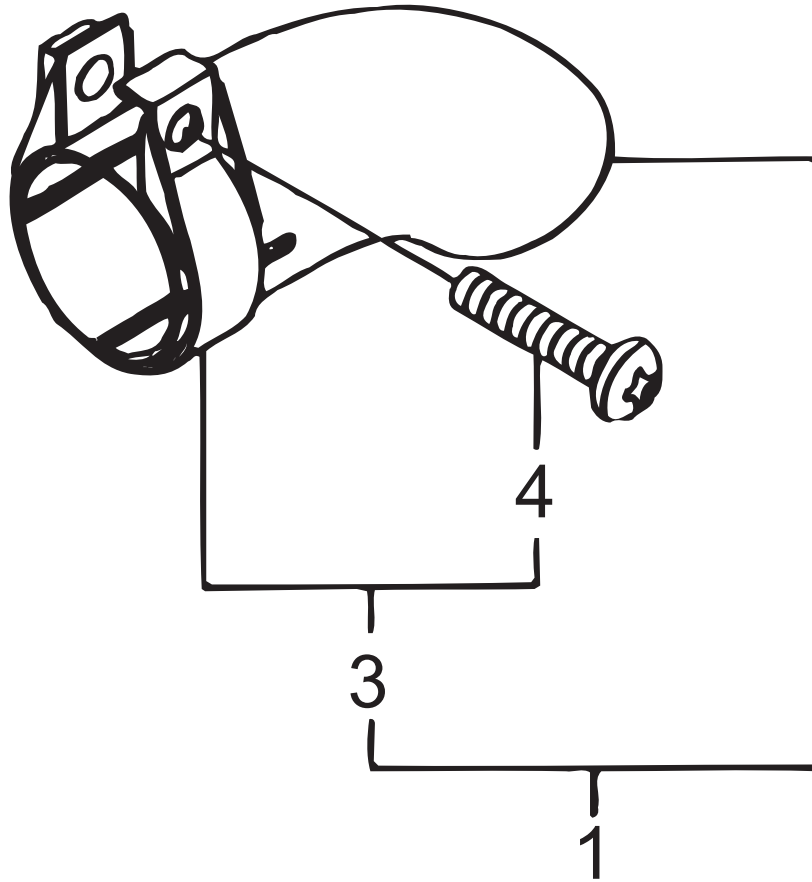
L70V6GF1R1AA — TOOLS, LABELS AND GASKETS ASSY



L70V6GF1R1AA — TOOLS, LABELS AND GASKETS ASSY

<u>NO.</u>	<u>PART NO.</u>	<u>PART NAME</u>	<u>QTY.</u>	<u>REMARKS</u>
3	11429907100	AIR COOLED LABEL	1	
4	11429907110	YANMAR LABEL	1	
5	11421007120	CAUTION LABEL	1	
6	11421007130	HOW TO START- E LABEL	1	
7	11429907160	DIESEL LABEL	1	
8	11421007200	DECOMPRESSION LABEL	1	
11	11429992590	TOOL ASSY.	1	INCLUDES ITEMS W/ *
12*	11429992600	TOOL BAG	1	
13*	11429992710	SPANNA	1	
14*	11429992720	SPANNA	1	
15*	11429992730	DRIVER	1	
16*	11429992740	FUEL FITTING	1	
17	71421092600	GASKET SET (NON- ASB)	1	INCLUDES ITEMS W/ #
18 #	11439501330	CYLINDER HEAD GASKET ASSY.	1	
24 #	11439901380	O- RING	2	
25 #	11439901410	CRANK CASE GASKET	1	
26 #	11429901950	O- RING	2	
27 #	11425001841	GASKET	1	
28 #	22190160002	WASHER SEAL 16S	2	
29 #	11435011340	VALVE STEM SEAL	2	
30 #	11477111461	NOZZLE GASKET	1	
31 #	11421011310	BONNET GASKET	1	
32 #	11421012210	AIR CLEANER GASKET	1	
33 #	11429913200	MUFFLER GASKET	1	
34 #	11429932570	O- RING COVER	1	
35 #	24341000100	O- RING 1A S- 10.0	1	
36 #	23414080000	PACKING 8	1	
37 #	24341000224	O- RING 1A S- 22.4	1	
38 #	24341000150	O- RING 1A S-15.0	1	

L70V6GF1R1AA — ACCESSORIES



L70V6GF1R1AA — ACCESSORIES

<u>NO.</u>	<u>PART NO.</u>	<u>PART NAME</u>	<u>QTY.</u>	<u>REMARKS</u>
1	11424913600	EXHAUST PIPE ASSY.	1	INCLUDES ITEM W/ *
3*	11425213910	CLAMP	1	INCLUDES ITEM W/ #
4#	11425213960	SCREW M6X25	1	

PARTS MANUAL

HERE'S HOW TO GET HELP

PLEASE HAVE THE MODEL AND SERIAL
NUMBER ON-HAND WHEN CALLING

UNITED STATES

Multiquip Inc.

(310) 537- 3700
6141 Katella Avenue Suite 200
Cypress, CA 90630
E-MAIL: mq@multiquip.com
WEBSITE: www.multiquip.com

CANADA

Multiquip

(450) 625-2244
4110 Industriel Boul.
Laval, Quebec, Canada H7L 6V3
E-MAIL: infocanada@multiquip.com

UNITED KINGDOM

Multiquip (UK) Limited Head Office

0161 339 2223
Unit 2, Northpoint Industrial Estate,
Globe Lane,
Dukinfield, Cheshire SK16 4UJ
E-MAIL: sales@multiquip.co.uk

© COPYRIGHT 2020, MULTIQUIP INC.

Multiquip Inc, the MQ logo are registered trademarks of Multiquip Inc. and may not be used, reproduced, or altered without written permission. All other trademarks are the property of their respective owners and used with permission.

This manual MUST accompany the equipment at all times. This manual is considered a permanent part of the equipment and should remain with the unit if resold.

The information and specifications included in this publication were in effect at the time of approval for printing. Illustrations, descriptions, references and technical data contained in this manual are for guidance only and may not be considered as binding. Multiquip Inc. reserves the right to discontinue or change specifications, design or the information published in this publication at any time without notice and without incurring any obligations.

Your Local Dealer is:

