

PARTS MANUAL



Mikasa **SERIES**
MODEL MVC40G
PLATE COMPACTOR
(ROBIN EH09-2D GASOLINE ENGINE)

Revision #6 (06/19/20)

To find the latest revision of this publication or associated operation manual, visit our website at: www.multiquip.com



THIS MANUAL MUST ACCOMPANY THE EQUIPMENT AT ALL TIMES.

TABLE OF CONTENTS

MVC40G Plate Compactor

Explanation Of Code In Remarks Column.....	4
Suggested Spare Parts	5

Compactor Component Drawings

Nameplate And Decals.....	6-7
Base And Handle Assembly	8-9
Vibrator Assembly	10-11
Engine Assembly.....	12-13

Robin EH09-2D Engine

Crankcase Assembly	14-15
Camshaft Assembly.....	16-17
Crankshaft And Piston Assembly	18-19
Intake Exhaust Assembly	20-21
Air Cleaner Assembly	22-23
Muffler Assembly	24-25
Governor Assembly	26-27
Cooling Starting Assembly	28-29
Fuel Tank Assembly.....	30-31
Carburetor Assembly.....	32-33
Electric Device Assembly	34-35
Accessory Kit Assembly	36-37

NOTICE

Part numbers are subject to change without notice.

EXPLANATION OF CODE IN REMARKS COLUMN

The following section explains the different symbols and remarks used in the Parts section of this manual. Use the help numbers found on the back page of the manual if there are any questions.

NOTICE

The contents and part numbers listed in the parts section are subject to change **without notice**. Multiquip does not guarantee the availability of the parts listed.

SAMPLE PARTS LIST

NO.	PART NO.	PART NAME	QTY.	REMARKS
1	12345	BOLT	1	INCLUDES ITEMS W/%
2%		WASHER, 1/4 IN.		NOT SOLD SEPARATELY
2%	12347	WASHER, 3/8 IN. ...	1	MQ-45T ONLY
3	12348	HOSE	A/R	MAKE LOCALLY
4	12349	BEARING	1	S/N 2345B AND ABOVE

NO. Column

Unique Symbols — All items with same unique symbol (@, #, +, %, or >) in the number column belong to the same assembly or kit, which is indicated by a note in the “Remarks” column.

Duplicate Item Numbers — Duplicate numbers indicate multiple part numbers, which are in effect for the same general item, such as different size saw blade guards in use or a part that has been updated on newer versions of the same machine.

NOTICE

When ordering a part that has more than one item number listed, check the remarks column for help in determining the proper part to order.

PART NO. Column

Numbers Used — Part numbers can be indicated by a number, a blank entry, or TBD.

TBD (To Be Determined) is generally used to show a part that has not been assigned a formal part number at the time of publication.

A blank entry generally indicates that the item is not sold separately or is not sold by Multiquip. Other entries will be clarified in the “Remarks” Column.

QTY. Column

Numbers Used — Item quantity can be indicated by a number, a blank entry, or A/R.

A/R (As Required) is generally used for hoses or other parts that are sold in bulk and cut to length.

A blank entry generally indicates that the item is not sold separately. Other entries will be clarified in the “Remarks” Column.

REMARKS Column

Some of the most common notes found in the “Remarks” Column are listed below. Other additional notes needed to describe the item can also be shown.

Assembly/Kit — All items on the parts list with the same unique symbol will be included when this item is purchased.

Indicated by:

“INCLUDES ITEMS W/(unique symbol)”

Serial Number Break — Used to list an effective serial number range where a particular part is used.

Indicated by:

“S/N XXXXX AND BELOW”

“S/N XXXX AND ABOVE”

“S/N XXXX TO S/N XXX”

Specific Model Number Use — Indicates that the part is used only with the specific model number or model number variant listed. It can also be used to show a part is NOT used on a specific model or model number variant.

Indicated by:

“XXXXX ONLY”

“NOT USED ON XXXX”

“Make/Obtain Locally” — Indicates that the part can be purchased at any hardware shop or made out of available items. Examples include battery cables, shims, and certain washers and nuts.

“Not Sold Separately” — Indicates that an item cannot be purchased as a separate item and is either part of an assembly/kit that can be purchased, or is not available for sale through Multiquip.

SUGGESTED SPARE PARTS

MVC40G PLATE COMPACTOR

1 to 5 units

Qty.	P/N	Description
3070100272.....	V-BELT
4939010160.....	SHOCK ABSORBER

ROBIN EH09-2D ENGINE

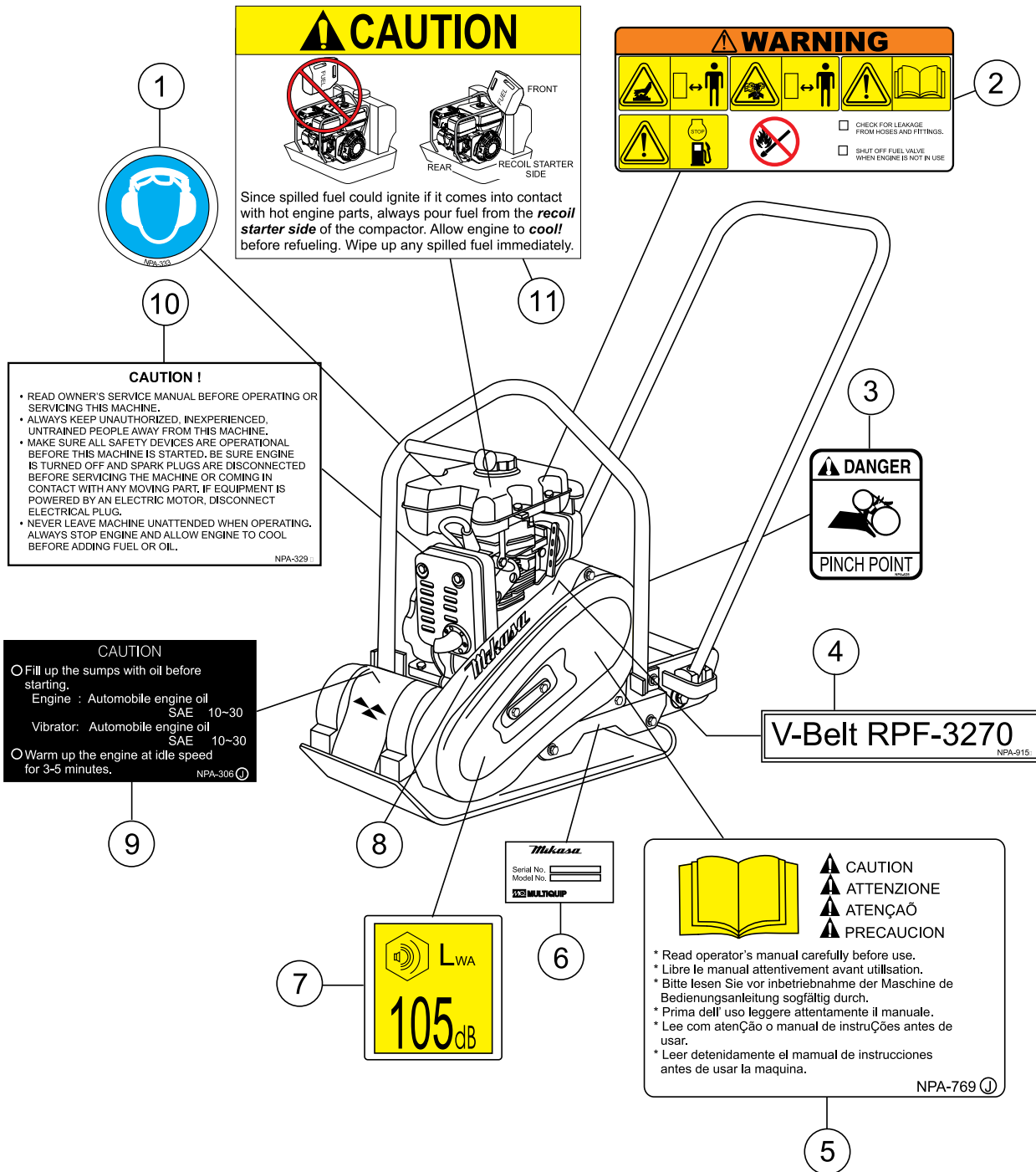
1 to 5 units

Qty.	P/N	Description
30650140380.....	SPARK PLUG
12745011208.....	ROPE, RECOIL STARTER
32263261007.....	ELEMENT, AIR CLEANER
10430440132.....	CAP, FUEL TANK
10641420040.....	FUEL FILTER, FUEL TANK
30642004420.....	FILTER, FUEL STRAINER

NOTICE

Part numbers on this Suggested Spare Parts list may supersede/replace the part numbers shown in the following parts lists.

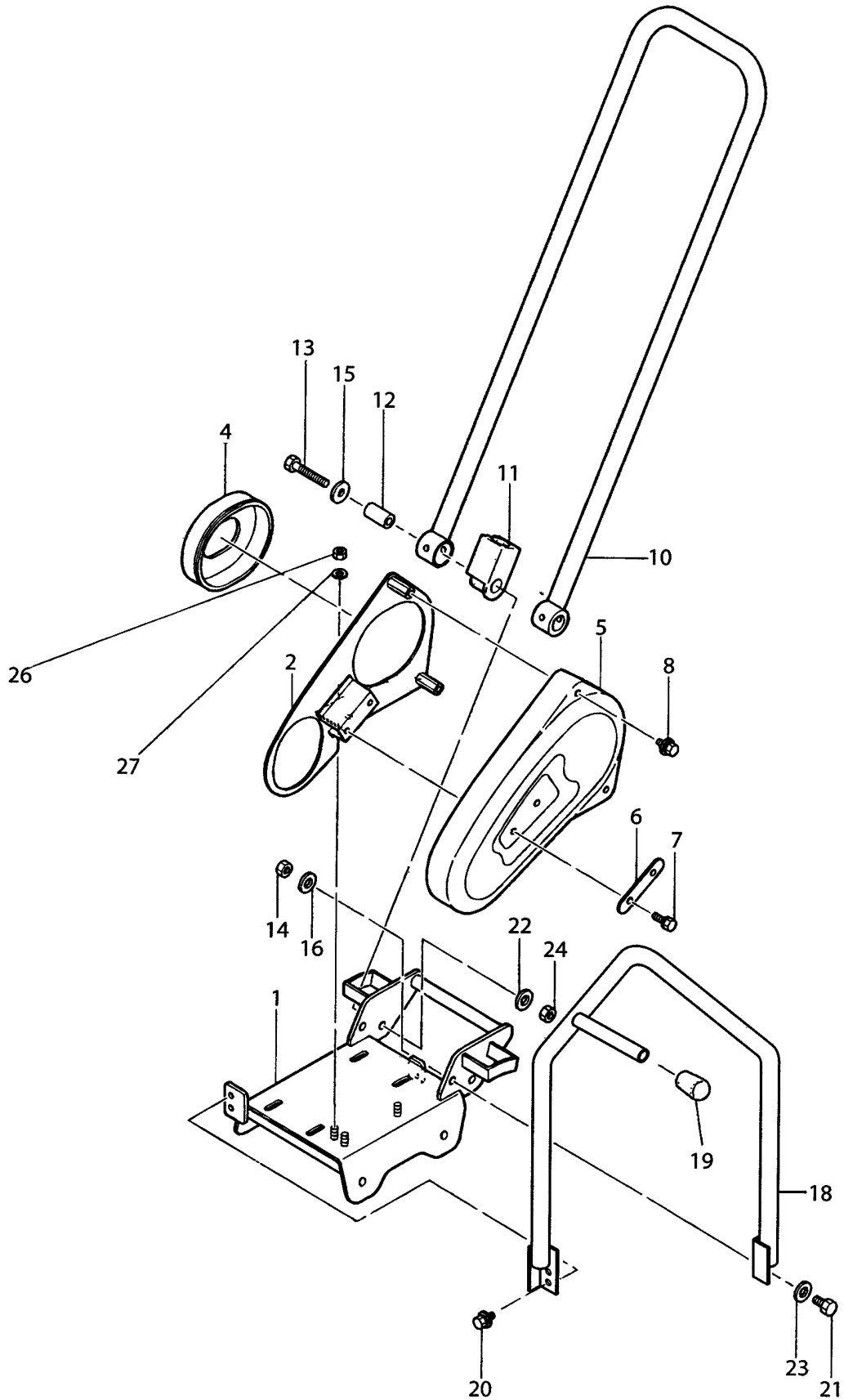
NAMEPLATE AND DECALS



NAMEPLATE AND DECALS

<u>NO.</u>	<u>PART NO.</u>	<u>PART NAME</u>	<u>QTY.</u>	<u>REMARKS</u>
1	920203330	DECAL; EAR PROTECTION LABEL	1.....	NPA-333
2	0732005181	DECAL; WARNING, HOT SURF., FUMES	1	
3	920206280	DECAL; DANGER.....	1.....	NPA-628
4	920209150	DECAL; V-BELT/ RPF-3270.....	1.....	NPA-915
5	920207690	DECAL; CAUTION, READ MANUAL	1.....	NPA-769
6		NAMEPLATE.....	1.....	CONTACT MQ PARTS DEPT.
7	920210330	DECAL; EC NOISE REQ. LWA105.....	1.....	NPA-1033
8	920109530	DECAL; MIKASA, 125MM YELLOW	1.....	NP-953
9	920203060	DECAL; CAUTION	1.....	NPA-929
10	920203290	DECAL; CAUTION	1.....	NPA-329
11	920212320	DECAL: CAUTION REFUELING.....	1.....	NPA-1232

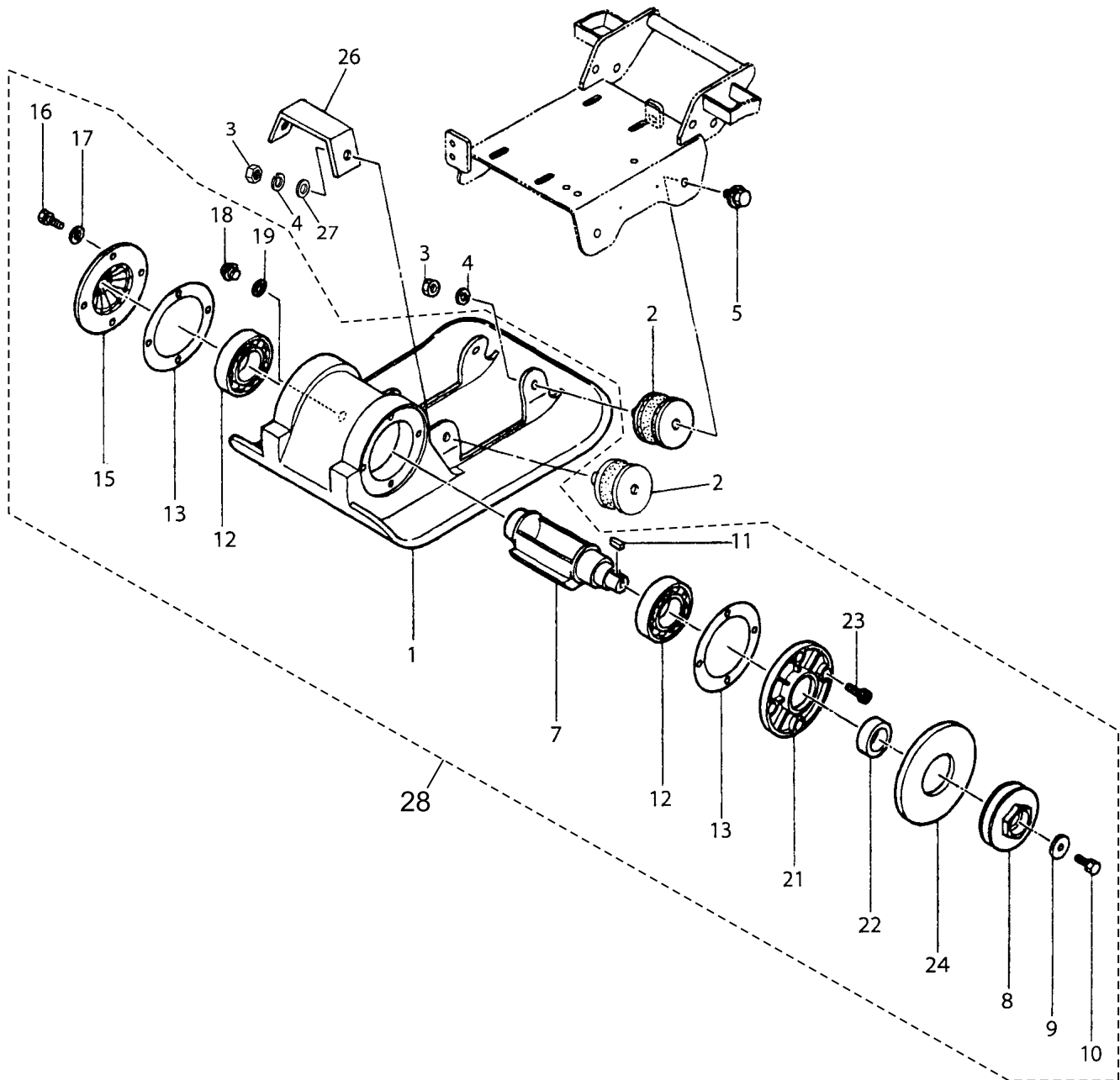
BASE AND HANDLE ASSY.



BASE AND HANDLE ASSY.

<u>NO.</u>	<u>PART NO.</u>	<u>PART NAME</u>	<u>QTY.</u>	<u>REMARKS</u>
1	417116270	BASE	1	
2	417116820	BELT COVER, IN	1	
4	417339980	COVER SEAL, E/G	1	
5	417116290	BELT COVER, OUT	1	
6	417454400	PLATE, BELT COVER	1	
7	002210820	BOLT, 8X20 H, SW	2	
8	002410815	BOLT, 8X15 H, SW, PW	2	
10	417118330	HANDLE	1	
11	417454410	HANDLE STOPPER	2	
12	417454420	COLLAR, 10.5-20-37.5L	2	
13	001221052	BOLT, 10X60 T	2	
14	020310080	NUT, M10	1	
15	952401660	WASHER, 103045	2	
16	030210250	WASHER, LOCK M10	1	
18	417215510	HOOK	1	
19	953406430	RUBBER CAP, 16D KP-622	1	
20	002410820	BOLT, 8X20 H, SW, PW	2	
21	001211025	BOLT, 10X25 H	1	
22	030210250	WASHER, LOCK M10	2	
23	031110160	WASHER, FLAT M10	1	
24	020310080	NUT, M10	2	
26	020308060	NUT, M8	3	
27	030208200	WASHER, LOCK M8	3	

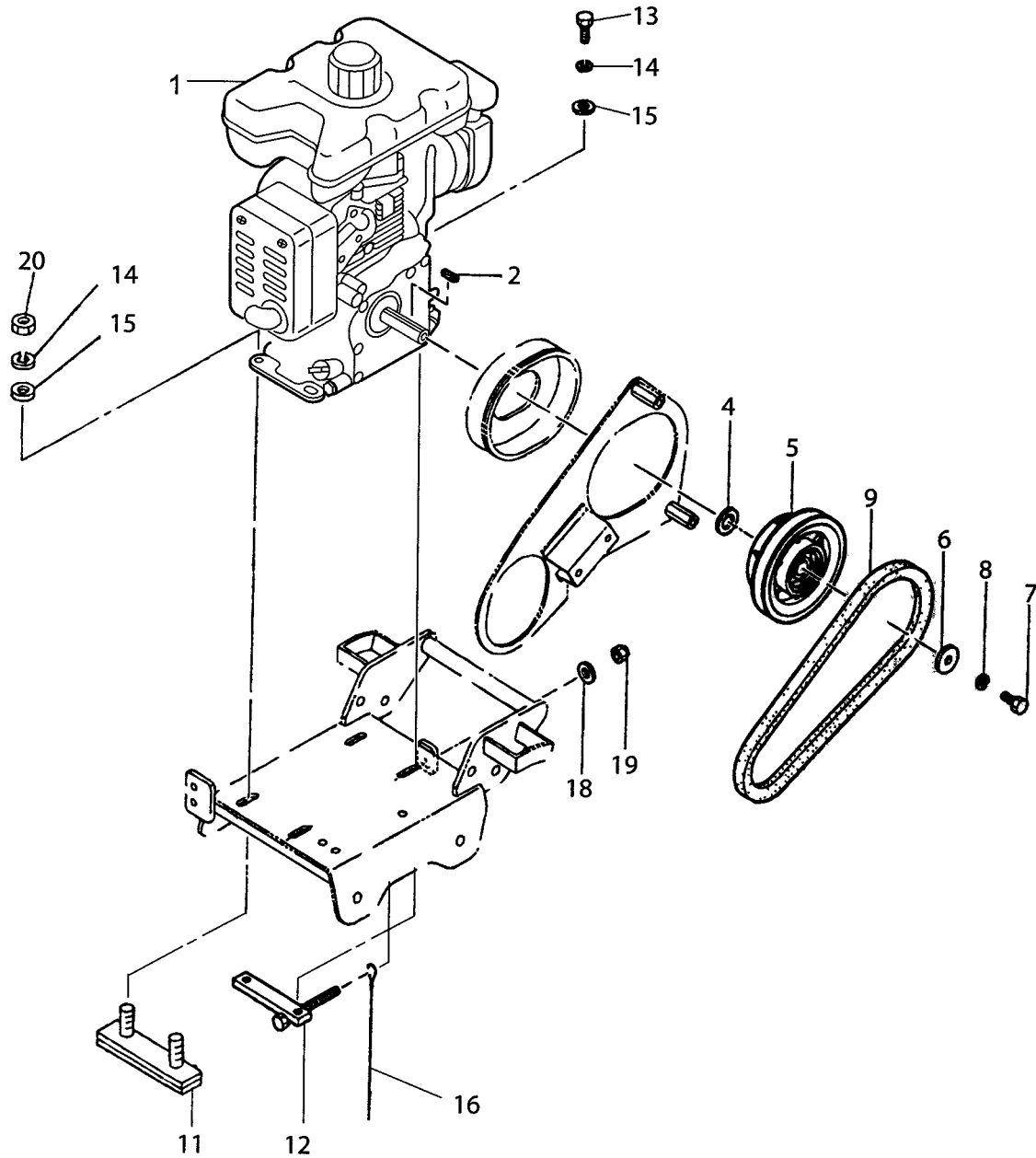
VIBRATOR ASSY.



VIBRATOR ASSY.

<u>NO.</u>	<u>PART NO.</u>	<u>PART NAME</u>	<u>QTY.</u>	<u>REMARKS</u>
1#	417116663	VIBRATING PLATE	1	
2	939010160	SHOCK ABSORBER TAK-50	4	
3	020310080	NUT, M10	4	
4	030210250	WASHER, LOCK M10	4	
5	002411025	BOLT, 10X25 H, SW, PW	4	
7#	417215500	ECCENTRIC ROTATOR	1	
8#	417339920	PULLEY, A1-82-S22	1	
9#	952400130	WASHER, FLAT	1	
10#	002210825	BOLT, 8X25 H, SW	1	
11#	951405240	KEY, 7X7X19 R	1	
12#	040406208	BEARING, 6208C4	2	
13#	417454390	PACKING, VIB	2	
15#	417339890	CASE COVER, R	1	
16#	002210820	BOLT, 8X20 H, SW	4	
17#	031108160	WASHER, FLAT M8	4	
18#	953400270	PLUG, 1/4X14 10L	1	
19#	953405260	PACKING, 1/4 CU	1	
21#	417339900	CASE COVER, L	1	
22#	060403020	OIL SEAL, TC-30458	1	
23#	001520820	SOCKET HEAD BOLT, 8X20 T	4	
24#	417339910	COVER SEAL, VIB.	1	
26	417342700	SUPPORT OF STOPPER	1	
27	031110160	WASHER, FLAT M10	2	
28	417910010	VIBRATING PLATE ASSY	1.....	INCLUDES ITEMS W/ #

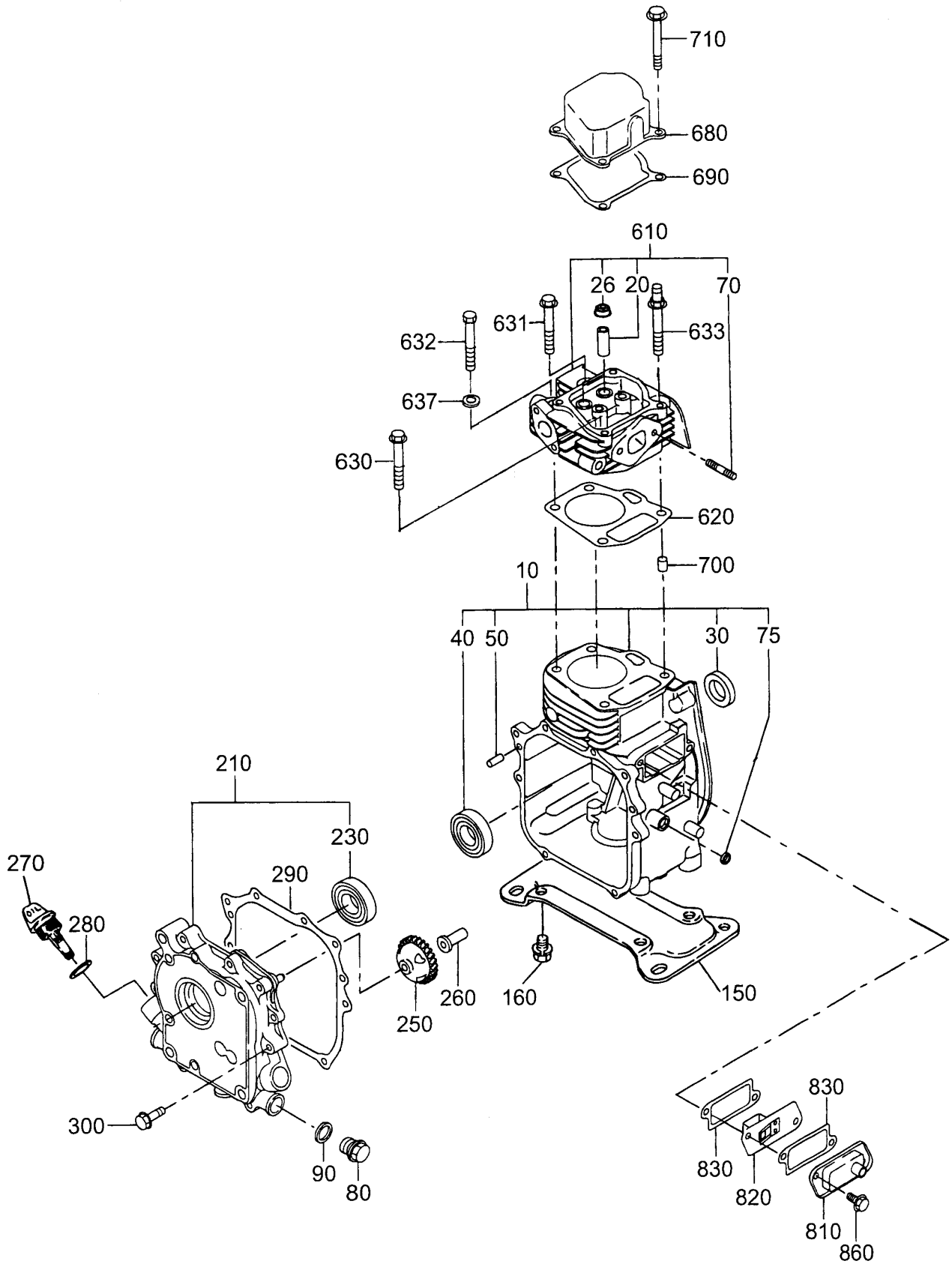
ENGINE ASSY.



ENGINE ASSY.

<u>NO.</u>	<u>PART NO.</u>	<u>PART NAME</u>	<u>QTY.</u>	<u>REMARKS</u>
1	911210907	ENGINE ASSY., EH09-2D	1	
2	951401740	KEY, 5X5X20	1	
4	952404610	COLLAR, 17X30X3	1	
5	417456390	CLUTCH ASSY. D-17	1	
6	952400130	WASHER, FLAT	1	
7	001220820	BOLT, 8X20 T	1	
8	030208200	WASHER, LOCK M8	1	
9	070100272	V-BELT, A-27 BLUE/RPF-3270	1	
11	417456380	PLATE, BOLT W/RUBBER	1	
12	413436870	ENGINE NUT	1	
13	001220825	BOLT, 8X25 T	4	
14	030208200	WASHER, LOCK M8	4	
15	031108160	WASHER, FLAT M8	4	
16	959404350	EARTH WIRE	1	
18	031108160	WASHER, FLAT M8	1	
19	022710809	NYLON, NUT M8	1	
20	020308060	NUT, M8	2	

ROBIN EH09-2D — CRANKCASE ASSY.

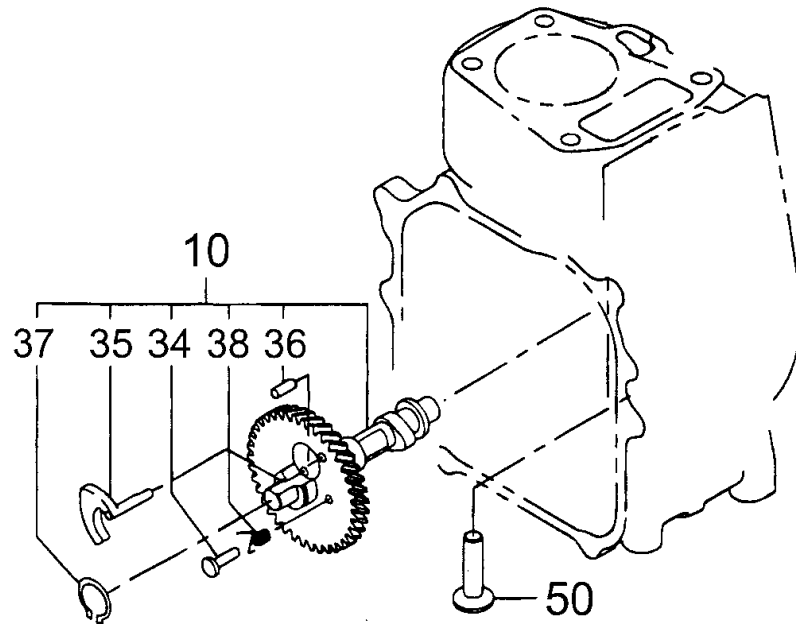


ROBIN EH09-2D — CRANKCASE ASSY.

CRANKCASE ASSY.

<u>NO.</u>	<u>PART NO.</u>	<u>PART NAME</u>	<u>QTY.</u>	<u>REMARKS</u>
10	2841010101	CRANKCASE ASSY.....	1.....	INCLUDES ITEMS W/%
20 #	2371420203	VALVE GUIDE O/S	2	
26 #	2771601001	STEM SEAL	1	
30%	0440200070	OIL SEAL TB20326	1	
40%	0600200110	BALL BEARING 6004C3	1	
50%	0310060020	DOWEL PIN	2	
70 #	0105060430	STUD	2	
75%	0440060020	OIL SEAL	1	
80	0401140030	PLUG	2	
90	0211140020	GASKET	2	
150	2841340101	BASE	1	
160	0011308180	BOLT AND WASHER ASSY.	4	
210	2841100121	MAIN BEARING COVER ASSY.	1.....	INCLUDES ITEMS W/@
230@	0600200110	BALL BEARING 6004C3	1	
250	2844500301	GOVERNOR GEAR	1	
260	2054190103	GOVERNOR SLEEVE	1	
270	2306360101	DIPSTICK	1	
280	TBD	O-RING	1	
290@	2841600303	GASKET, BEARING COVER	1	
300	0110060101	FLANGE BOLT	8	
610	2841300110	CYLINDER HEAD ASSY.....	1.....	INCLUDES ITEMS W/ #
620	2841500113	GASKET, HEAD	1	
630	0110080210	FLANGE BOLT	1	
631	0100080410	BOLT	1	
632	0100080420	BOLT	1	
633	0110080301	FLANGE BOLT	1	
637	0200080210	WASHER, FLAT	1	
680	2841550103	ROCKET COVER	1	
690	2841600703	GASKET, ROCKET COVER	1	
700	2771501103	PIPE KNOCK	2	
710	0100060400	BOLT	4	
810	2841430101	BREATHER COVER	1	
820	2841440101	BREATHER PLATE	1	
830	2301600613	GASKET TAPPET COVER	2	
860	0110060020	FLANGE BOLT	2	

ROBIN EH09-2D — CAMSHAFT ASSY.

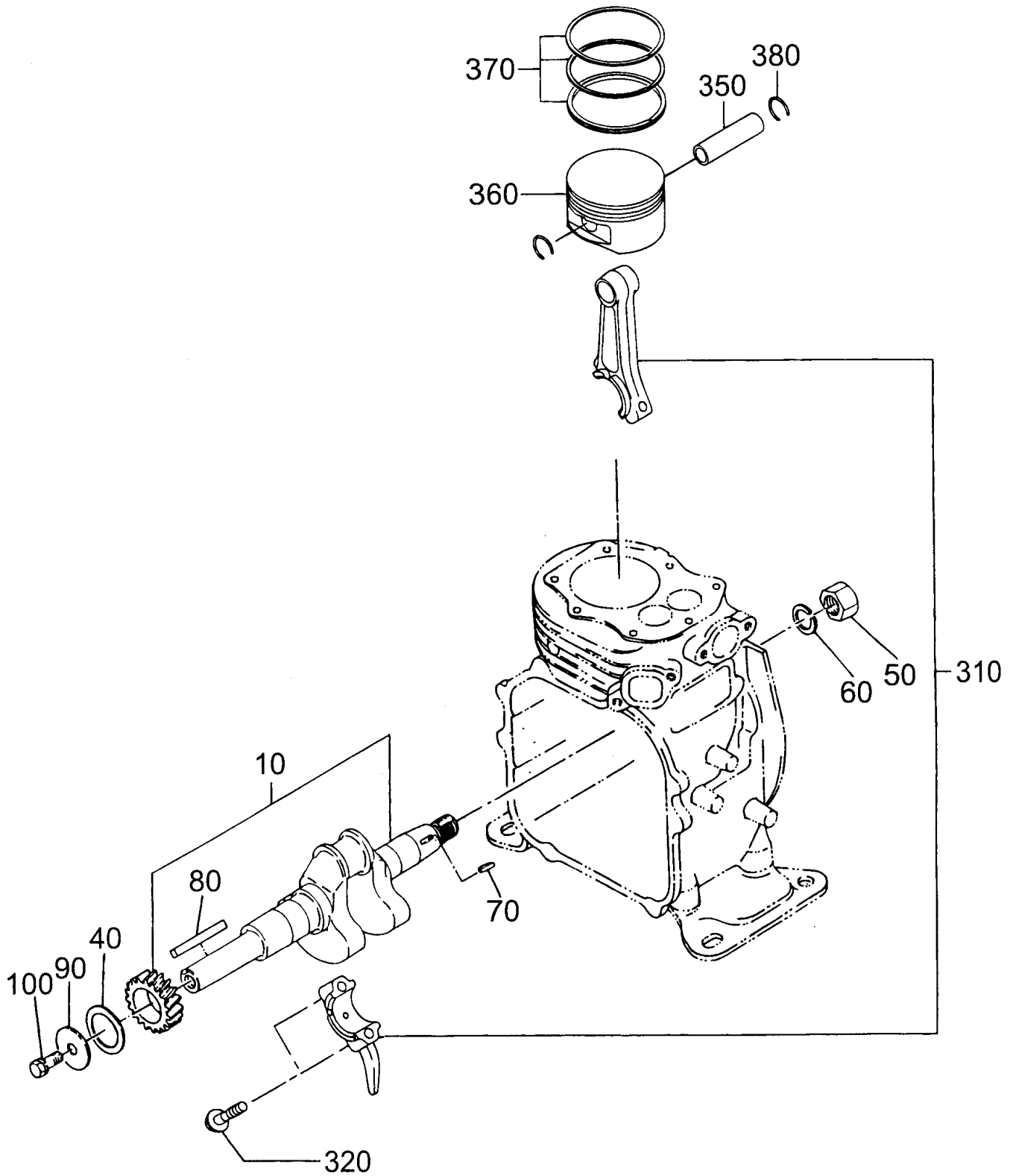


ROBIN EH09-2D — CAMSHAFT ASSY.

CAMSHAFT ASSY.

<u>NO.</u>	<u>PART NO.</u>	<u>PART NAME</u>	<u>QTY.</u>	<u>REMARKS</u>
10	2843170211	CAMSHAFT ASSY.	1.....	INCLUDES ITEMS W/@
34@	2273860123	PIN, SPRING	1	
35@	2843640103	RELEASE LEVER	1	
36@	0051904100	SPRING PIN	1	
37@	0031517000	SNAP RING	1	
38@	2743870123	RETURN SPRING	1	
50	2743330103	TAPPET	1	

ROBIN EH09-2D — CRANKSHAFT AND PISTON ASSY.

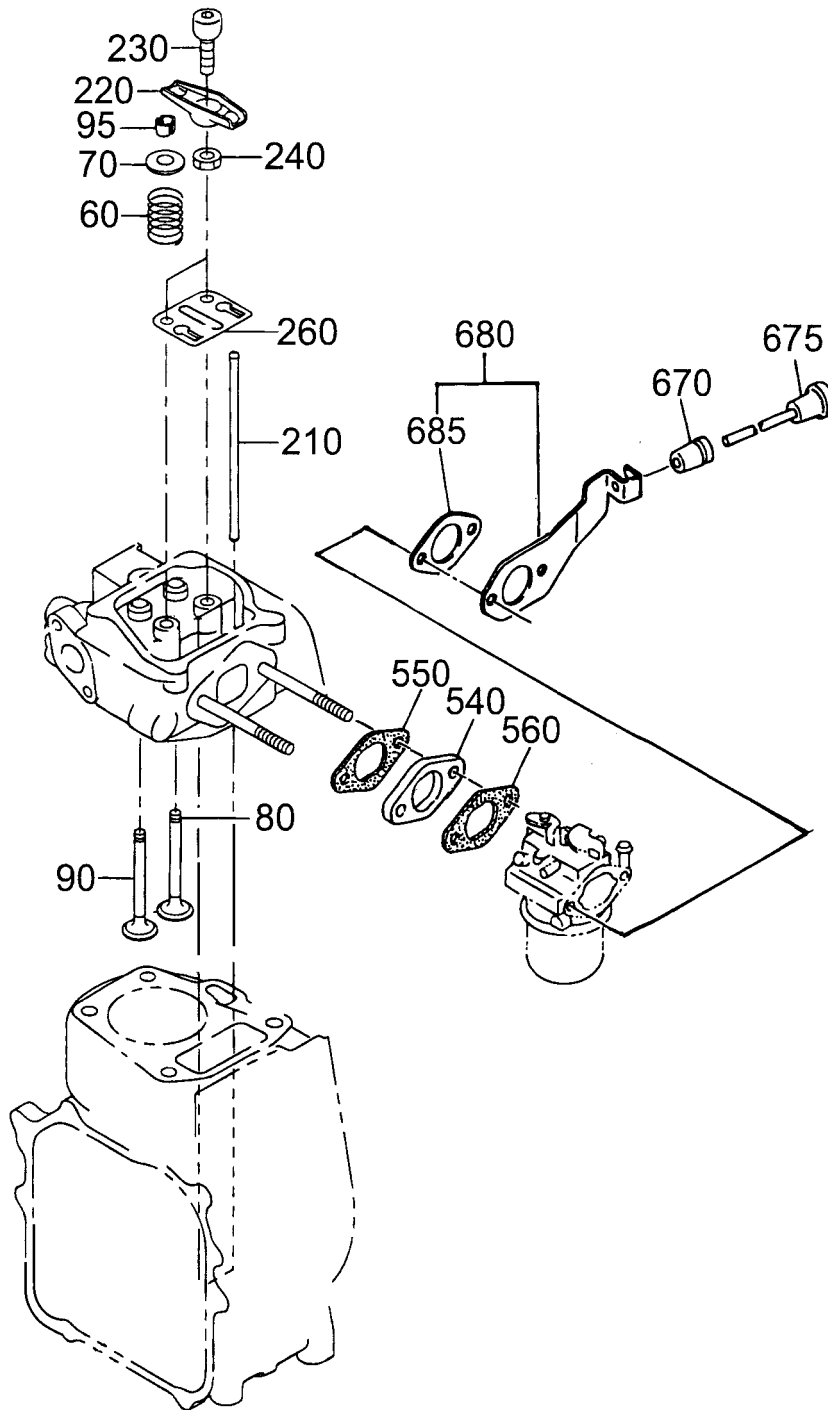


ROBIN EH09-2D — CRANKSHAFT AND PISTON ASSY.

CRANKSHAFT AND PISTON ASSY.

<u>NO.</u>	<u>PART NO.</u>	<u>PART NAME</u>	<u>QTY.</u>	<u>REMARKS</u>
10	2842070111	CRANKSHAFT CP.....	1.....	INCLUDES ITEMS W/@
40	0230200100	SPACER 0.8T	1	
40	0230200110	SPACER 1.0T	1	
40	0230200120	SPACER 1.2T	1	
50#	0021814000	NUT	1	
60#	0032014000	SPRING WASHER	1	
70#	0053203101	WOODRUFF KEY	1	
80@	0320050010	KEY	1	
90	0200080050	WASHER	1	
100	0011308160	BOLT AND WASHER ASSY.	1	
310	2842250120	CONNECTING ROD ASSY.....	1.....	INCLUDES ITEMS W/#
320	2842300103	CONNECTING ROD BOLT	2	
350	2302330103	PISTON PIN	1	
360	2742340103	PISTON STD.	1	
360	2742340203	PISTON 25 MM. O.S.	1	
360	2742340303	PISTON 50 MM. O.S.	1	
370	2842352107	PISTON RING SET, STD.	1	
370	2842352207	PISTON RING SET, 25 MM.	1	
370	2842352307	PISTON RING SET, 50 MM.	1	
380	0565110010	CLIP	2	

ROBIN EH09-2D — INTAKE EXHAUST ASSY.

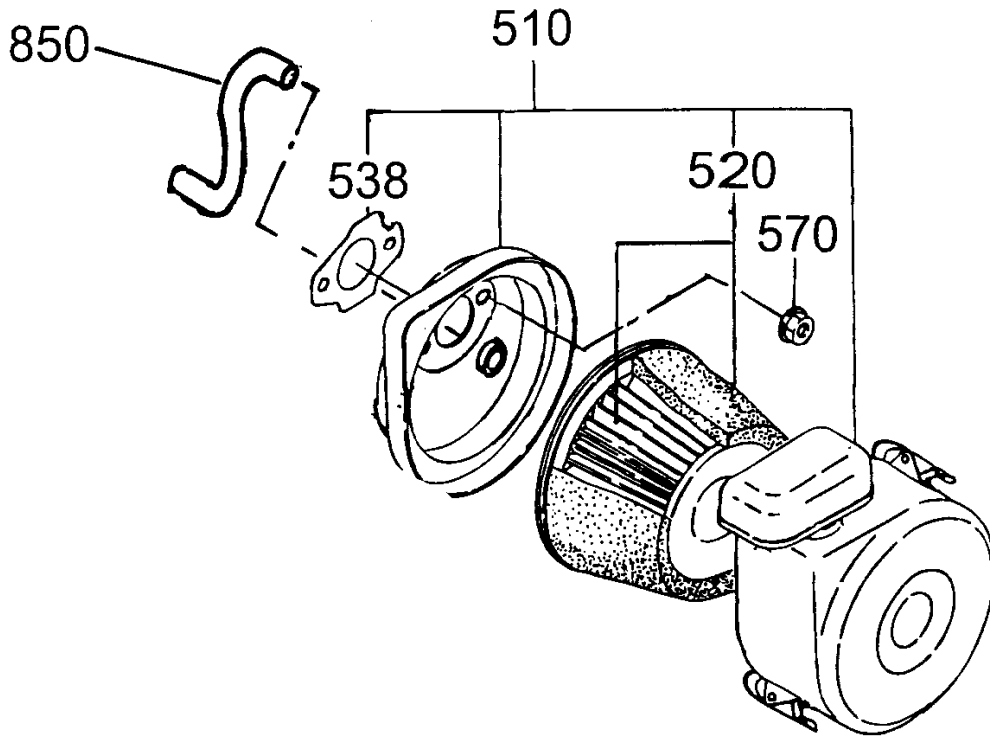


ROBIN EH09-2D — INTAKE EXHAUST ASSY.

INTAKE EXHAUST ASSY.

<u>NO.</u>	<u>PART NO.</u>	<u>PART NAME</u>	<u>QTY.</u>	<u>REMARKS</u>
60	2743360103	VALVE SPRING	2	
70	2743370203	SPRING RETAINER	2	
80	2743340103	INTAKE VALVE	1	
90	2743350103	EXHAUST VALVE	1	
95	13210KA031	COLLET VALVE	4	
210	2743530103	PUSH ROD	2	
220	2743600303	ROCKER ARM	2	
230	2693580103	BOLT, PIVOT	2	
240	0170060090	NUT	2	
260	2743650103	GUIDE PLATE	1	
540	1063291203	INSULATOR	1	
550	2843590203	GASKET, INTAKE	1	
560	1573500103	GASKET, INSULATOR	1	
670	0241020010	GROMMET	1	
675	2064390101	KNOB	1	
680	2844710101	CHOKE BRACKET	1	
685	2273590403	GASKET, 2 IN. NEWPUSTD	1	

ROBIN EH09-2D — AIR CLEANER ASSY.

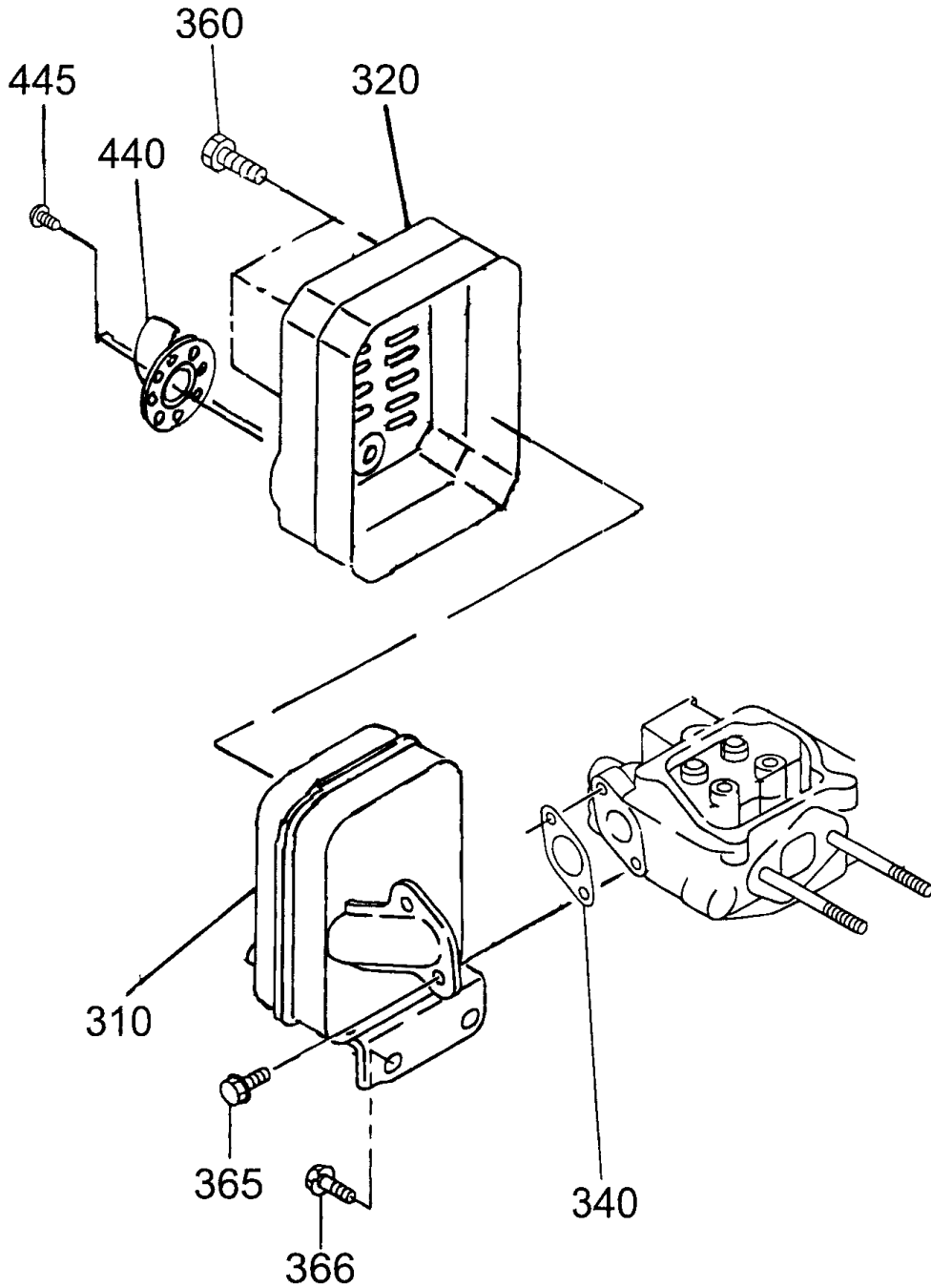


ROBIN EH09-2D — AIR CLEANER ASSY.

AIR CLEANER ASSY.

<u>NO.</u>	<u>PART NO.</u>	<u>PART NAME</u>	<u>QTY.</u>	<u>REMARKS</u>
510	2843261000	AIR CLEANER ASSY.....	1.....	INCLUDES ITEMS W/@
520@	2263261007	ELEMENT SET	1	
538@	2273590403	GASKET, 2 IN. NEW PU STD.	1	
570@	2263921200	NUT & WASHER ASSY.	2	
850	2841610103	RUBBER PIPE	1	

ROBIN EH09-2D — MUFFLER ASSY.

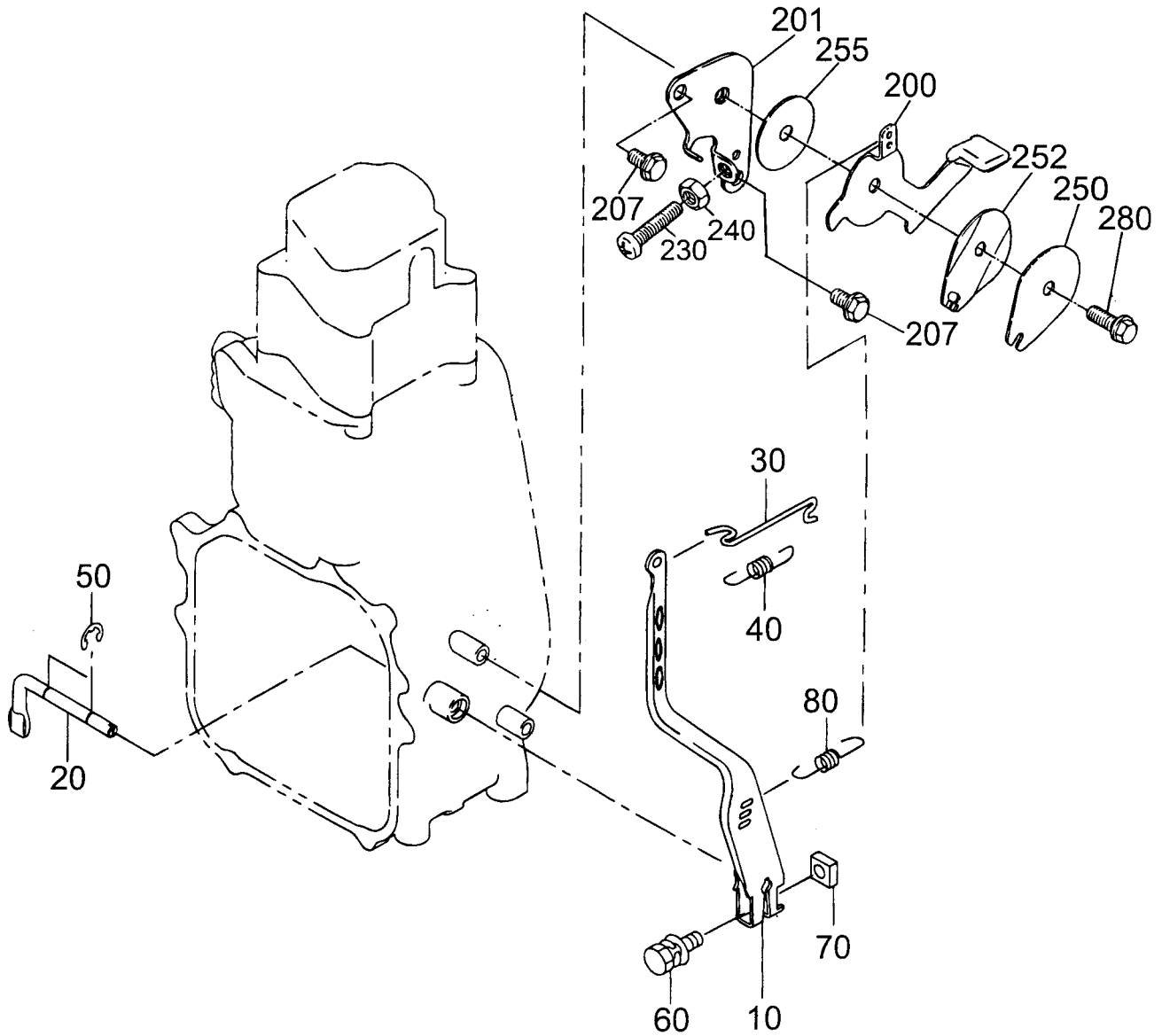


ROBIN EH09-2D — MUFFLER ASSY.

MUFFLER ASSY.

<u>NO.</u>	<u>PART NO.</u>	<u>PART NAME</u>	<u>QTY.</u>	<u>REMARKS</u>
310	2843010112	MUFFLER	1	
320	2843420101	MUFFLER COVER	1	
340	2843520103	GASKET, EXHAUST	1	
360	0152060090	TAPPING BOLT	3	
365	0011306160	BOLT & WASHER ASSY	2	
366	0011408160	BOLT/WASHER 8X16	2	
440	2363700101	DEFLECTOR	1	
445	0150040050	TAPPING SCREW	2	

ROBIN EH09-2D — GOVERNOR ASSY.

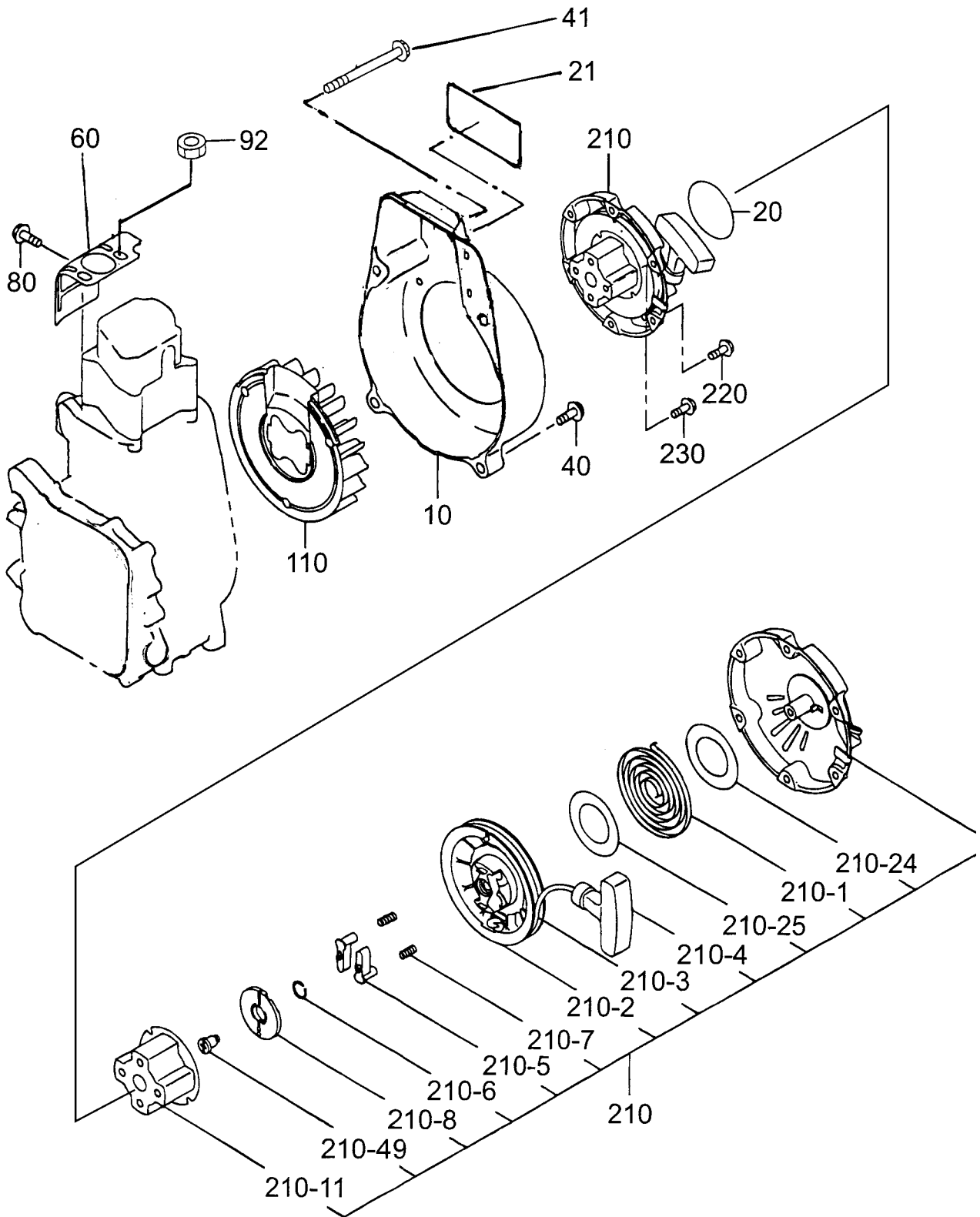


ROBIN EH09-2D — GOVERNOR ASSY.

GOVERNOR ASSY.

<u>NO.</u>	<u>PART NO.</u>	<u>PART NAME</u>	<u>QTY.</u>	<u>REMARKS</u>
10	2844230603	GOVERNOR LEVER	1	
20	2304220103	GOVERNOR SHAFT	1	
30	2344270101	GOVERNOR ROD	1	
40	2344280113	ROD SPRING	1	
50	0031305000	CLIP	2	
60	0011406250	BOLT & WASHER ASSY.	1	
70	0186060020	NUT	1	
80	2844250603	GOVERNOR SPRING	1	
200	2844330101	SPEED CONTROL CP	1	
201	2304500111	BASE PLATE CP	1	
207	0110060010	FLANGE BOLT	2	
230	0043106300	SCREW	1	
240	0022706000	NUT	1	
250	2274350113	STOP PLATE STD.	1	
252	2274500203	SPRING WASHER	1	
255	0217060030	FRICTION WASHER	1	
280	0110060030	FLANGE BOLT	1	

ROBIN EH09-2D — COOLING STARTING ASSY.



ROBIN EH09-2D — COOLING STARTING ASSY.

COOLING STARTING ASSY.

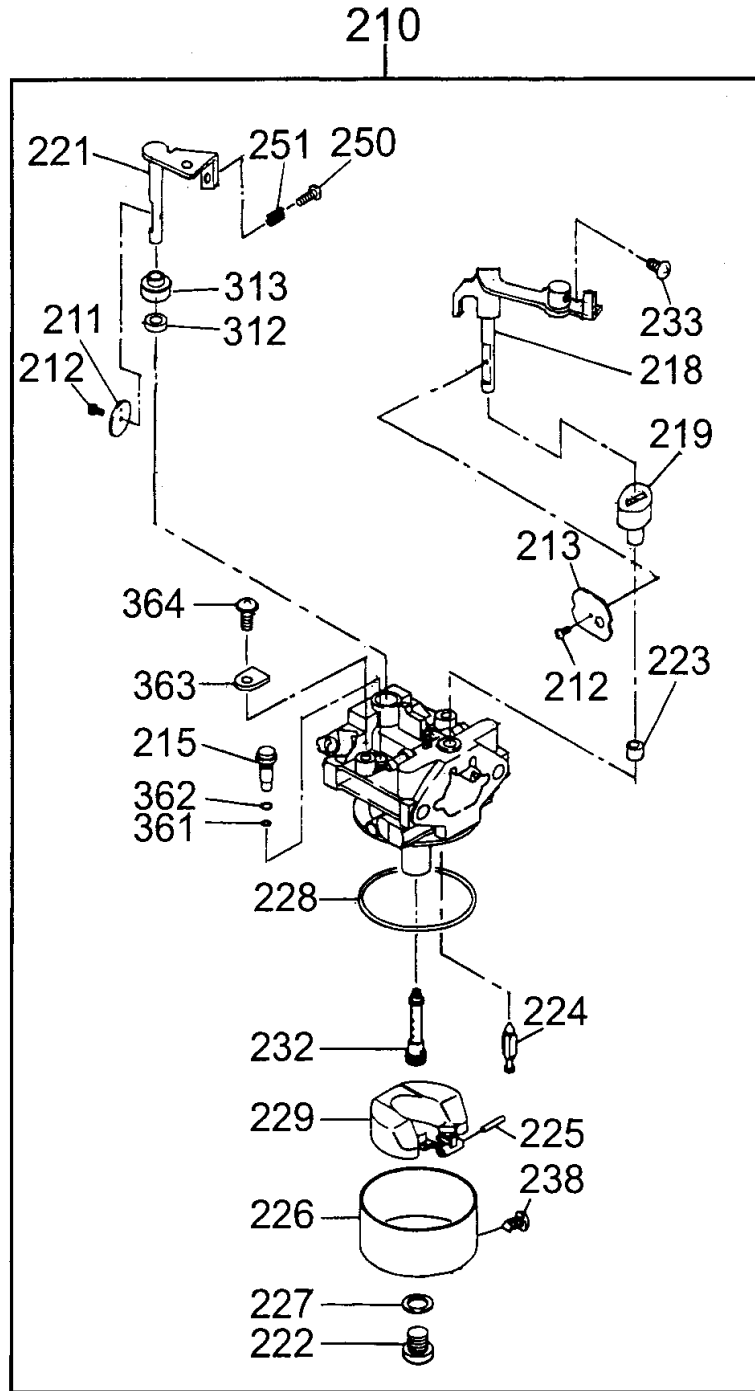
<u>NO.</u>	<u>PART NO.</u>	<u>PART NAME</u>	<u>QTY.</u>	<u>REMARKS</u>
10	2845130101	BLOWER HOUSING	1	
20	2849510203	LABEL, MODEL	1	
21	0732005470	LABEL, TM	1	
40	0010408160	FLANGE BOLT	3	
41	0010408505	FLANGE BOLT	1	
60	2845260123	CYLINDER BAFFLE	1	
80	0110060010	FLANGE BOLT	1	
92	0023808000	FLANGE NUT	1	
110	2845410103	COOLING BLOWER	1	
210	2845021120	RECOIL STARTER ASSY.....	1	INCLUDES ITEMS W/@
210-1@	2745011508	SPIRAL SPRING	1	
210-2@	2745012018	REEL	1	
210-3@	2745011208	STARTER ROPE	1	
210-4@	2615010008	STARTER KNOB	1	
210-5@	2705012508	RATCHET	1	
210-6@	2745013108	FRICTION SPRING	1	
210-7@	2275013508	RETURN SPRING	1	
210-8@	2705026108	RATCHET GUIDE	1	
210-11@	2845014508	STARTER PULLEY	1	
210-24@	2745015208	SLIDE PLATE B	1	
210-25@	1315015008	SLIDE PLATE	1	
210-49@	22745015208	SET SCREW	1	
220	0110060010	FLANGE BOLT	3	
230	0110060020	FLANGE BOLT	4	

ROBIN EH09-2D — FUEL TANK ASSY.

FUEL TANK ASSY.

<u>NO.</u>	<u>PART NO.</u>	<u>PART NAME</u>	<u>QTY.</u>	<u>REMARKS</u>
10	2846010102	FUEL	1	
20	0732005181	LABEL, EXP.	1	
30	0430440132	FUEL TANK CAP ASSY.....	1	INCLUDES ITEMS W/@
32@	0434180012	INNER CAP	1	
33@	0841260020	SPONGE	1	
34@	0210260050	GASKET CAP	1	
35@	0232420012	PARTITION PLATE	1	
36	0213310020	GASKET (FILTER)	1	
40	0641420040	FUEL FILTER	1	
50	0642004402	FUEL STRAINER ASSY.....	1	INCLUDES ITEMS/W#
50-21#	0642004420	FILTER, V-STD	1	
50-22#	0642004490	JYJOINT PIPE, V-STD	1	
50-23#	0642004460	HOSE BAND ASSY. V-STD.	1	
60	0023808000	FLANGE NUT	1	
61	0023806000	FLANGE NUT	4	
63	0110060020	FLANGE BOLT	4	
70	2846260201	FUEL PIPE ASSY.....	1	INCLUDES ITEMS/W%
90%	0561080020	HOSE CLAMP	2	
103	0200080220	WASHER	1	
105	0110060570	FLANGE BOLT	2	
110	2846160102	FUEL TANK BRACKET	1	
111	2846160203	BRACKET, 2 TANK	1	
145	2846500103	SPONGE, TANK BRACKET	1	

ROBIN EH09-2D — CARBURETOR ASSY.

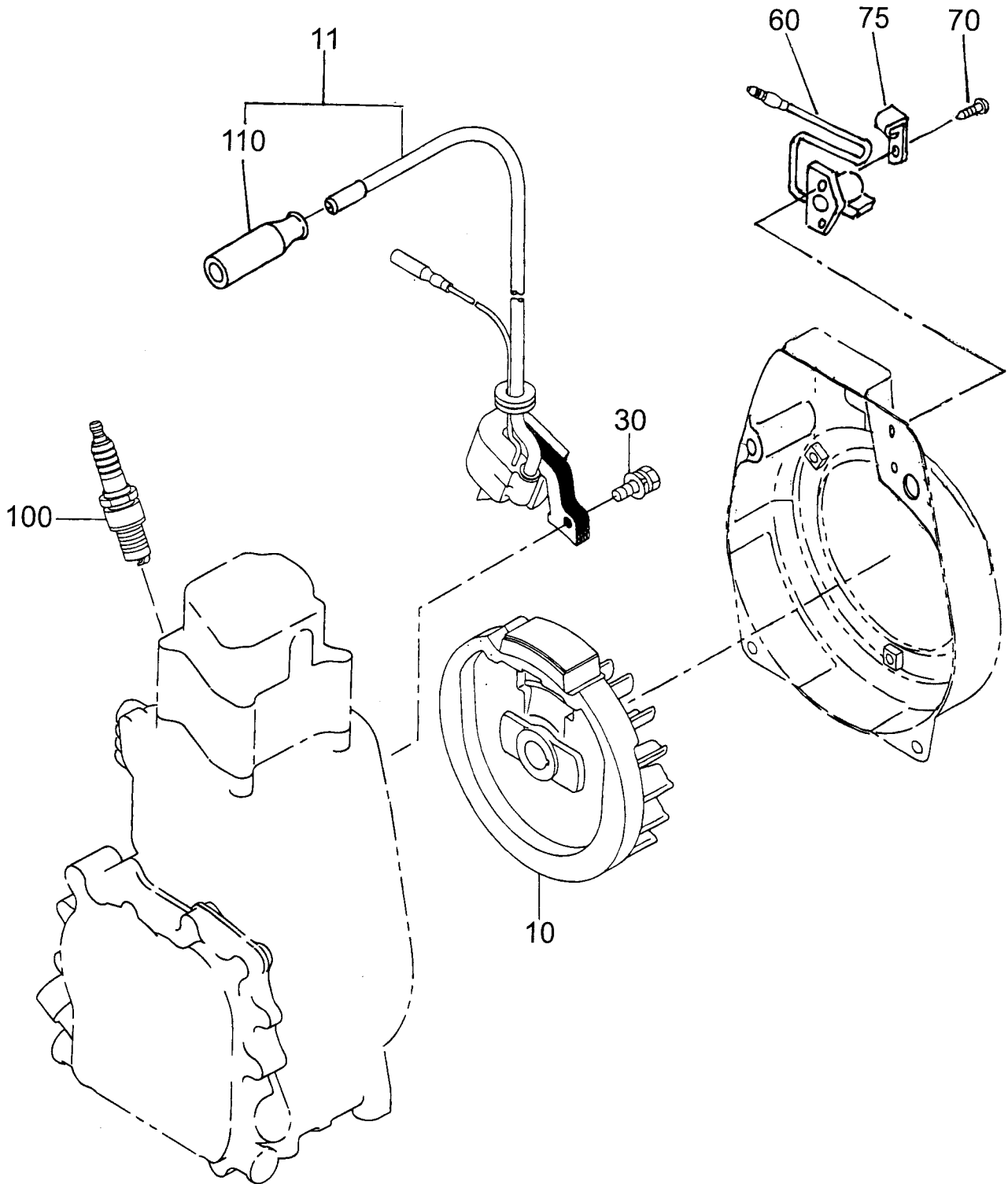


ROBIN EH09-2D — CARBURETOR ASSY.

CARBURETOR ASSY.

<u>NO.</u>	<u>PART NO.</u>	<u>PART NAME</u>	<u>QTY.</u>	<u>REMARKS</u>
210	2846232200	CARBURETOR ASSY.....	1.....	INCLUDES ITEMS W/@
211@	2846253508	THROTTLE VALVE	1	
212@	2846245508	CSREW	2	
213@	2846252708	VALVE CHOKE	1	
215@	2846242008	SLOW JET	1	
218@	2846252208	LEVER ASSY. CHOKE	1	
219@	2796256318	COLLAR SHAFT, 1	1	
221@	2846253208	SHAFT SUB. ASSY. TH.	1	
222@	2846235508	SCREW	1	
223@	2796256408	COLLAR SHAFT, 2	1	
224@	2796250008	VALVE NEEDLE ASSY.	1	
225@	2846251508	PIN, FLOAT LEVER	1	
226@	2846255208	CHAMBER ASSY. FLOAT	1	
227@	2516235008	GASKET	1	
228@	2846254008	GASKET CHAMBER	1	
229@	2846250508	FLOAT ASSY.	1	
232@	2846240008	MAIBN JET	1	
233@	2846245608	SCREW	1	
238@	2516266108	DRAIN SCREW	1	
250@	2776258108	SCREW ADJUST	1	
251@	2516244908	SPRING	2	
312@	2516255908	BUSH	1	
313@	2846256008	COLLAR	1	
361@	2846245008	O-RING	1	
362@	2846245108	O-RING	1	
363@	2846256308	PLATE	1	
364@	2846245608	SCREW	1	

ROBIN EH09-2D — ELECTRIC DEVICE ASSY.

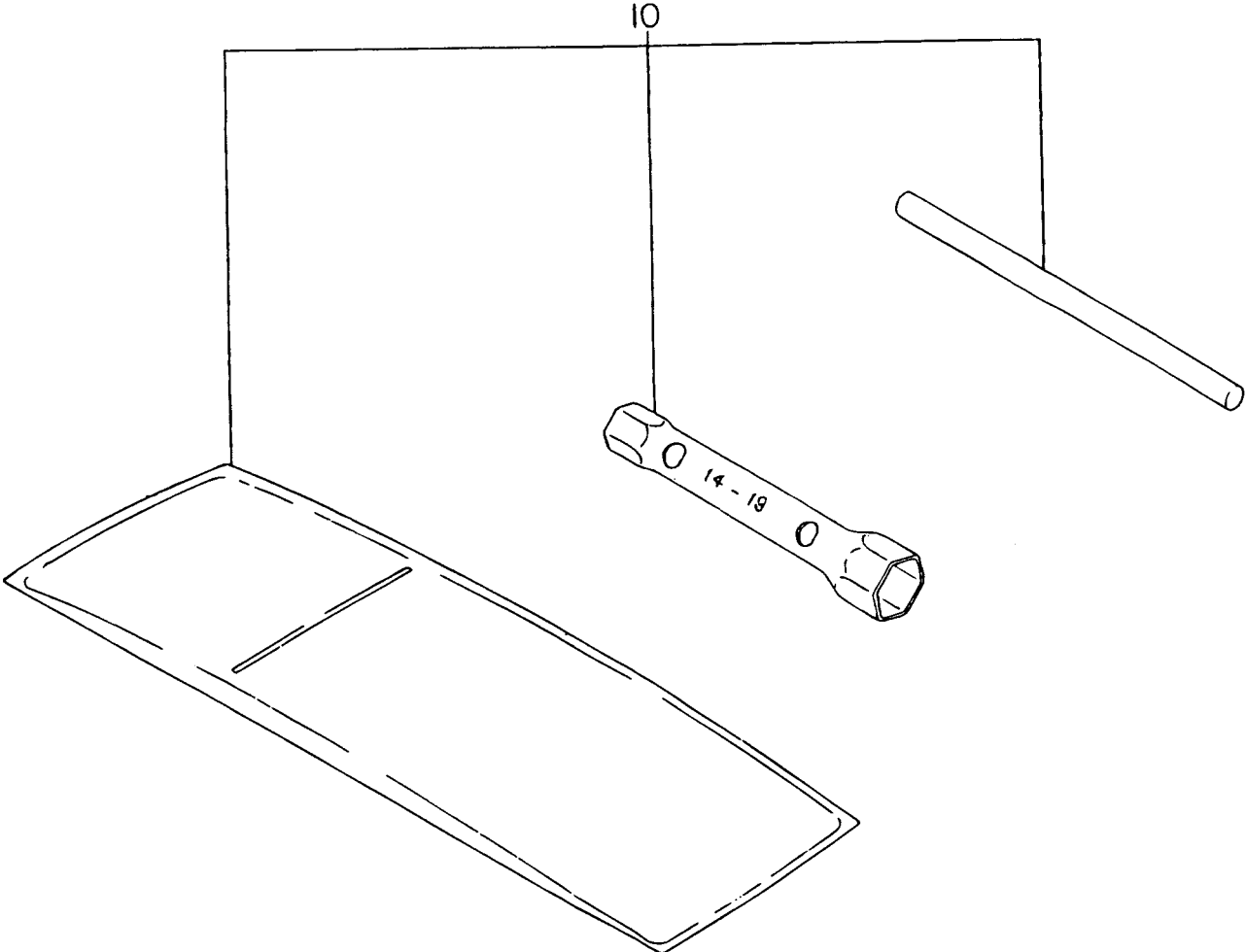


ROBIN EH09-2D — ELECTRIC DEVICE ASSY.

ELECTRIC DEVICE ASSY.

<u>NO.</u>	<u>PART NO.</u>	<u>PART NAME</u>	<u>QTY.</u>	<u>REMARKS</u>
10	2847934001	FLY WHEEL CP	1	
11	2847943021	IGITION COIL CP	1	
30	0011706250	BOLT & WASHER ASSY.	2	
60	0660000371	STOP SWITCH ASSY., ON-OFF	1	
70	0150040090	TAPPING SCREW	2	
75	0566030010	CLAMP	1	
100	0650140380	SPARK PLUG	1	
110	2847510203	SPARK PLUG CAP	1	

ROBIN EH09-2D — ACCESSORY KIT ASSY.



ROBIN EH09-2D — ACCESSORY KIT ASSY.

ACCESSORY TOOL KIT

<u>NO.</u>	<u>PART NO.</u>	<u>PART NAME</u>	<u>QTY.</u>	<u>REMARKS</u>
10	2269030710	ACCESSORY TOOL KIT	1	

PARTS MANUAL

HERE'S HOW TO GET HELP

PLEASE HAVE THE MODEL AND SERIAL
NUMBER ON-HAND WHEN CALLING

UNITED STATES

Multiquip Inc.

(310) 537- 3700
6141 Katella Avenue Suite 200
Cypress, CA 90630
E-MAIL: mq@multiquip.com
WEBSITE: www.multiquip.com

CANADA

Multiquip

(450) 625-2244
4110 Industriel Boul.
Laval, Quebec, Canada H7L 6V3
E-MAIL: infocanada@multiquip.com

UNITED KINGDOM

Multiquip (UK) Limited Head Office

0161 339 2223
Unit 2, Northpoint Industrial Estate,
Globe Lane,
Dukinfield, Cheshire SK16 4UJ
E-MAIL: sales@multiquip.co.uk

© COPYRIGHT 2020, MULTIQUIP INC.

Multiquip Inc, the MQ logo are registered trademarks of Multiquip Inc. and may not be used, reproduced, or altered without written permission. All other trademarks are the property of their respective owners and used with permission.

This manual MUST accompany the equipment at all times. This manual is considered a permanent part of the equipment and should remain with the unit if resold.

The information and specifications included in this publication were in effect at the time of approval for printing. Illustrations, descriptions, references and technical data contained in this manual are for guidance only and may not be considered as binding. Multiquip Inc. reserves the right to discontinue or change specifications, design or the information published in this publication at any time without notice and without incurring any obligations.

Your Local Dealer is:

